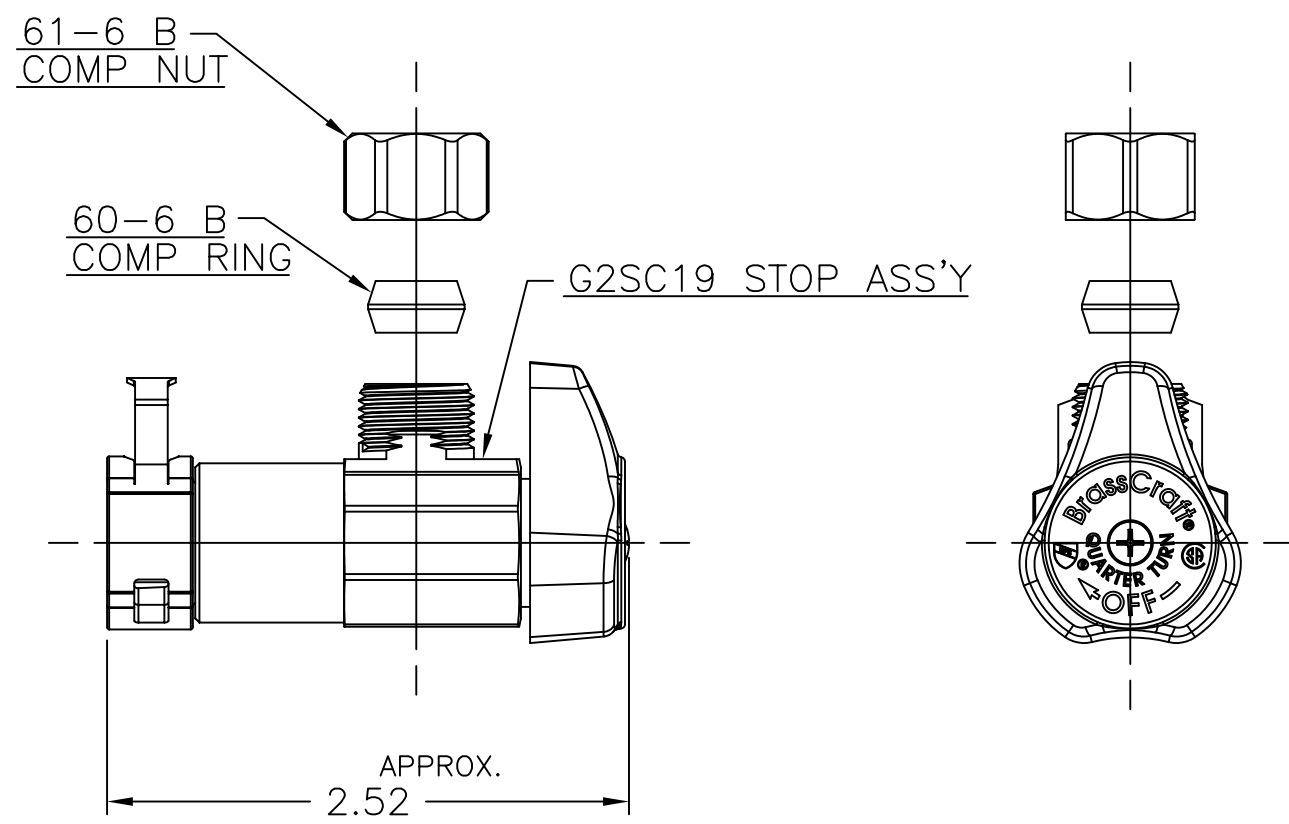


LET.	DATE	PER	BY	CHANGE
A	4/5/06	JPS	KAK	RELEASE



DESCRIPTION: SURECONNECT X 3/8 OD COMP QUARTER TURN ANGLE STOP (SUBMITTAL)  
DRAWING NO.: VPA1061A

DRAWN: KLIMKIE 04/05/2006  
DATE: 04/05/2006  
MATERIAL:  
ITEM DESCRIPTION: G2SC19

CHK'D: Schutte 04/07/2006  
DATE: 04/07/2006  
VOLUME:  
ITEM ID: G2SC19 C

This drawing and all data contained herein is the confidential and exclusive property of BrassCraft Manufacturing, and shall not be disclosed to others without the written consent of BrassCraft. This drawing must be returned to BrassCraft if requested.

CLASS	SYMBOL
KPC (KEY PRODUCT CHARACTERISTICS)	◇
STPC (STANDARD PRODUCT CHARACTERISTICS)	△
PRODUCT MARKINGS	○

NOTE: UNLESS OTHERWISE SPECIFIED TWO PLACE DECIMALS THREE PLACE DECIMALS ANGULARITY	+/- .010 +/- .005 +/- 1°	SIZE <b>A</b>	UNITS INCH	SCALE: (UNLESS NOTED) FULL	REV. A
----------------------------------------------------------------------------------------------	--------------------------------	------------------	---------------	----------------------------------	-----------