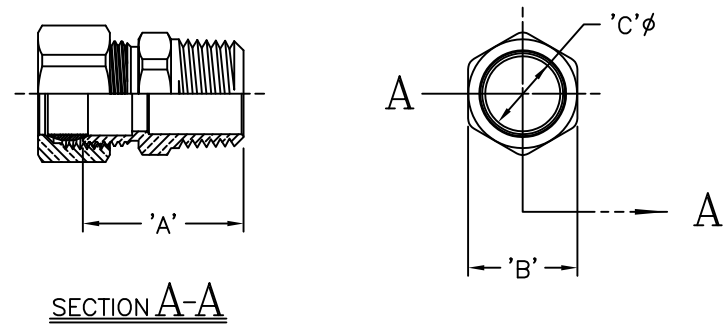

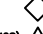
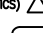
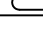


LET.	DATE	PER	BY	CHANGE
B	1/21/05	KAK	MJP	REVISED & UPDATED

ITEM I.D. (BRASS)	ITEM I.D. (CHROME)	TUBE SIZE	PIPE THREAD	STRAIGHT THREAD	DIM 'A'	DIM 'B'	DIM 'C'
68-2-2 B	-	1/8	1/8	5/16-24	.79	7/16	.094
68-3-2 B	-	3/16	1/8	3/8-24	.81	7/16	.125
68-3-4 B	-	3/16	1/4	3/8-24	.94	9/16	.125
68-4-2 B	-	1/4	1/8	7/16-24	.84	7/16	.190
68-4-4 B	-	1/4	1/4	7/16-24	.88	9/16	.187
68-4-6 B	-	1/4	3/8	7/16-24	1.03	11/16	.187
68-4-8 B	68-4-8 C	1/4	1/2	7/16-24	1.25	7/8	.187
68-5-2 B	-	5/16	1/8	1/2-24	.89	1/2	.250
68-5-4 B	-	5/16	1/4	1/2-24	1.09	9/16	.250
68-5-6 B	-	5/16	3/8	1/2-24	1.06	11/16	.250
68-6-2 B	-	3/8	1/8	9/16-24	.94	9/16	.250
68-6-4 B	68-6-4 C	3/8	1/4	9/16-24	1.03	9/16	.312
68-6-6 B	-	3/8	3/8	9/16-24	1.06	11/16	.312
68-6-8 B	68-6-8 C	3/8	1/2	9/16-24	1.16	27/32	.312
68-6-12 B	-	3/8	3/4	9/16-24	1.03	1-1/16	.344
68-7-4 B	-	7/16	1/4	5/8-24	1.17	5/8	.312
68-7-6 B	-	7/16	3/8	5/8-24	1.11	11/16	.312
68-8-4 B	-	1/2	1/4	11/16-20	1.08	11/16	.312
68-8-6 B	68-8-6 C	1/2	3/8	11/16-20	1.06	11/16	.468
68-8-8 B	68-8-8 C	1/2	1/2	11/16-20	1.22	7/8	.437
68-8-12 B	-	1/2	3/4	11/16-20	1.38	1-1/16	.469
68-10-6 B	68-10-6 C	5/8	3/8	13/16-18	1.22	13/16	.469
68-10-8 B	68-10-8 C	5/8	1/2	13/16-18	1.24	27/32	.531
68-10-12 B	-	5/8	3/4	13/16-18	1.38	1-1/16	.594
68-12-8 B	-	3/4	1/2	1-8	1.60	1	.562
68-12-12 B	-	3/4	3/4	1-8	1.38	1-1/16	.562
68-14-8 B	-	7/8	1/2	1 1/8-18	1.38	1-1/8	.562
68-14-12 B	-	7/8	3/4	1 1/8-18	1.38	1-1/8	.750
68-14-16 B	-	7/8	1	1 1/8-18	1.44	1-3/8	.750



This drawing and all data contained herein is the confidential and exclusive property of BrassCraft Manufacturing, and shall not be disclosed to others without the written consent of BrassCraft. This drawing must be returned to BrassCraft if requested.

 A Masco Company NOVI, MICHIGAN	DESCRIPTION COMPRESSION X MIP UNION (SUBMITTAL)		DRAWING NO. CFU0226B	
	DRAWN PERNAK 08/27/2003	DATE: 08/27/2003	MATERIAL	ITEM DESCRIPTION 68-2-2
CHK'D. Klimkie 01/26/2005	DATE: 01/26/2005	VOLUME	ITEM ID 68-2-2 B	
CLASS ALL GDT PER ANSI STD Y14.5M CLASSIFICATION OF QUALITY LEVELS	SYMBOL KPC (KEY PRODUCT CHARACTERISTICS) 	APP'D. DATE:	NOTE: UNLESS OTHERWISE SPECIFIED TWO PLACE DECIMALS +/- .010 THREE PLACE DECIMALS +/- .005 ANGULARITY +/- 1°	
STPC (STANDARD PRODUCT CHARACTERISTICS) 	PRODUCT MARKINGS 	UNITS INCH	SCALE: (UNLESS NOTED) FULL	REV. B