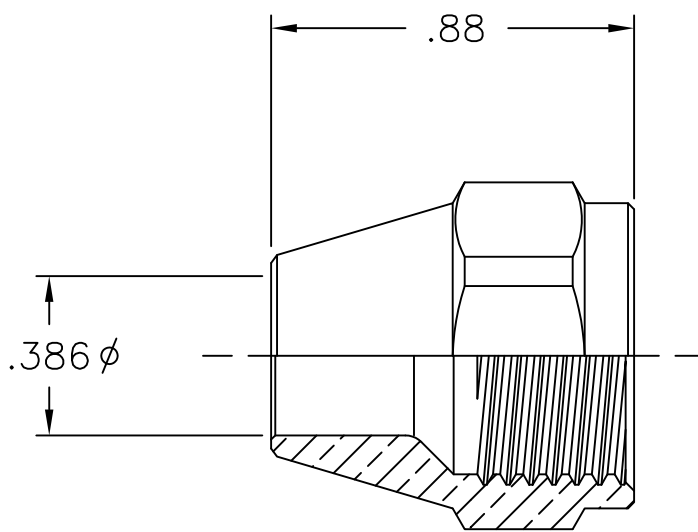
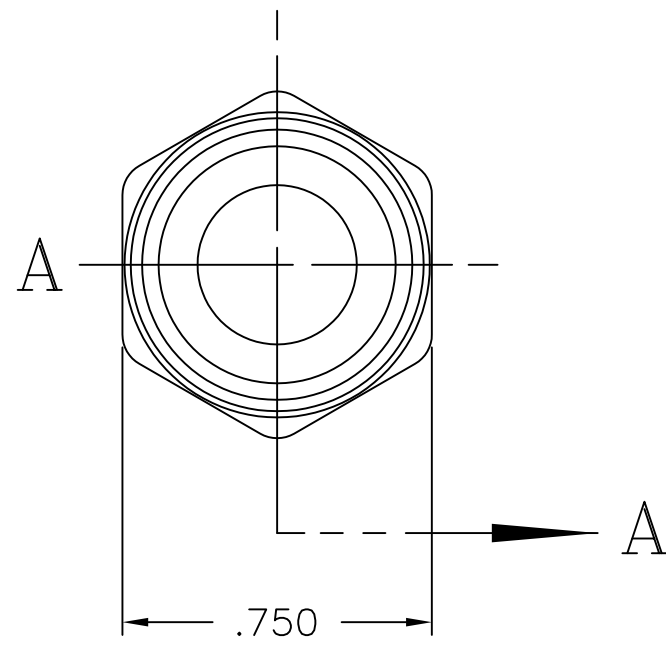


LET.	DATE	PER	BY	CHANGE
B	1/31/08	ROL	KAK	REVISED & UPDATED



SECTION A-A



This drawing and all data contained herein is the confidential and exclusive property of BrassCraft Manufacturing, and shall not be disclosed to others without the written consent of BrassCraft. This drawing must be returned to BrassCraft if requested.



ALL GDT PER ANSI STD Y14.5M CLASSIFICATION OF QUALITY LEVELS	
CLASS	SYMBOL
KPC (KEY PRODUCT CHARACTERISTICS)	◇
STPC (STANDARD PRODUCT CHARACTERISTICS)	△
PRODUCT MARKINGS	○

DESCRIPTION 3/8 OD TUBE FLARE NUT LIGHT PATTERN (SUBMITTAL)			DRAWING NO. FFN0146B		
DRAWN PERNAK	DATE: 11/04/2003	MATERIAL	ITEM DESCRIPTION 41S-6		
CHK'D. Green	DATE: 01/31/2008		VOLUME	ITEM ID 41S-6 B	
APP'D.	DATE:	NOTE: UNLESS OTHERWISE SPECIFIED TWO PLACE DECIMALS +/- .010 THREE PLACE DECIMALS +/- .005 ANGULARITY +/- 1°		UNITS INCH	SCALE: (UNLESS NOTED) 2:1