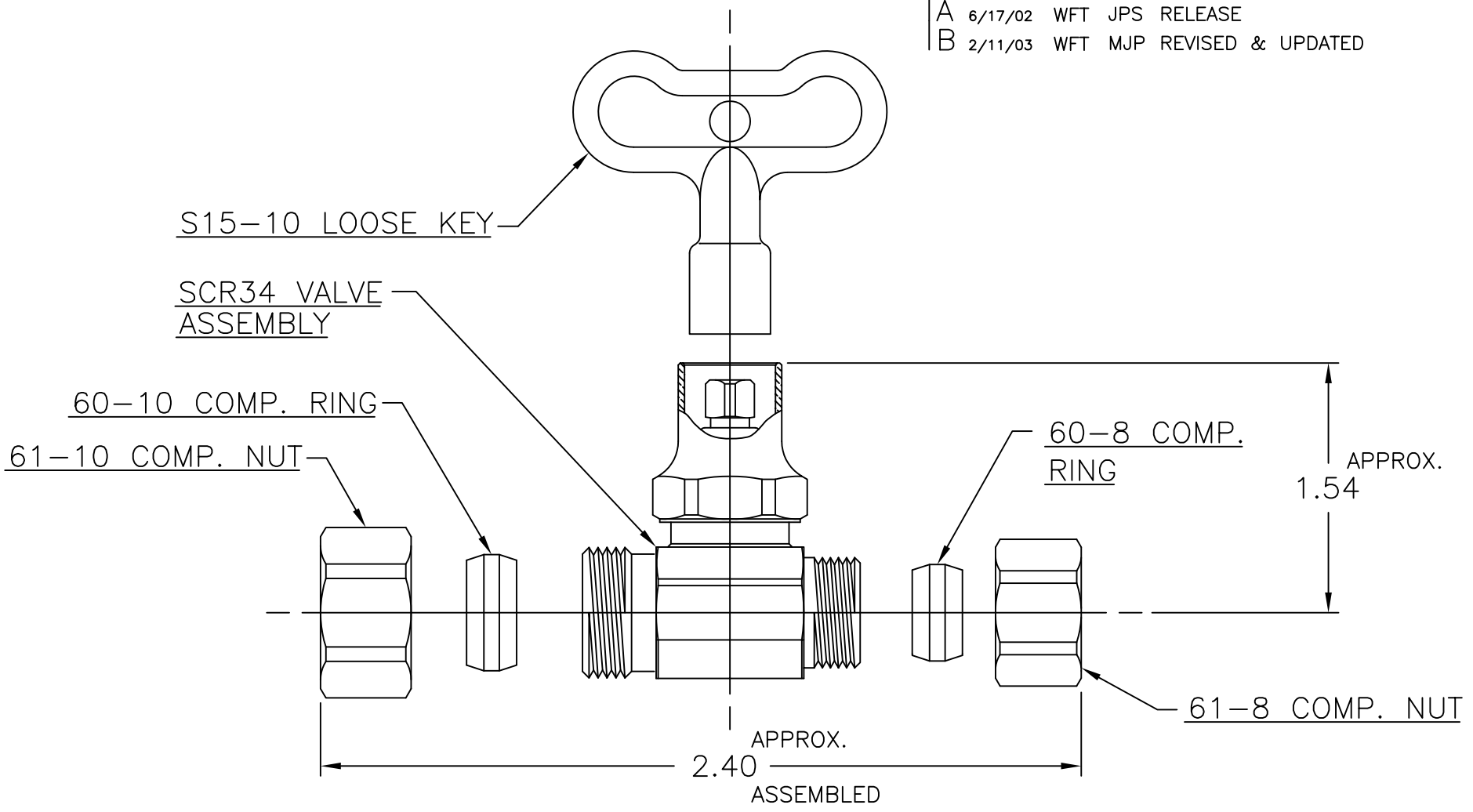


LET.	DATE	PER	BY	CHANGE
A	6/17/02	WFT	JPS	RELEASE
B	2/11/03	WFT	MJP	REVISED & UPDATED



NOVI, MICHIGAN	
ALL GDT PER ANSI STD Y14.5M CLASSIFICATION OF QUALITY LEVELS	
CLASS	SYMBOL
KPC (KEY PRODUCT CHARACTERISTICS)	◇
STPC (STANDARD PRODUCT CHARACTERISTICS)	△
PRODUCT MARKINGS	○

DESCRIPTION 1/2 NOM. COMP. X 1/2 O.D. COMP. STRT. VALVE W/LOOSE KEY (SUBMITTAL)	
DRAWN SCHUTTE	DATE: 06/17/2002
CHK'D. Klimkie	DATE: 04/04/2003
APP'D.	DATE:
NOTE: UNLESS OTHERWISE SPECIFIED TWO PLACE DECIMALS    +/- .010 THREE PLACE DECIMALS    +/- .005 ANGULARITY    +/- 1°	

DRAWING NO. VPA0881B	
ITEM DESCRIPTION SCR34	
ITEM ID SCR34 C	
UNITS INCH	SCALE: (UNLESS NOTED) 2:1
REV. B	

This drawing and all data contained herein is the confidential and exclusive property of BrassCraft Manufacturing, and shall not be disclosed to others without the written consent of BrassCraft. This drawing must be returned to BrassCraft if requested.