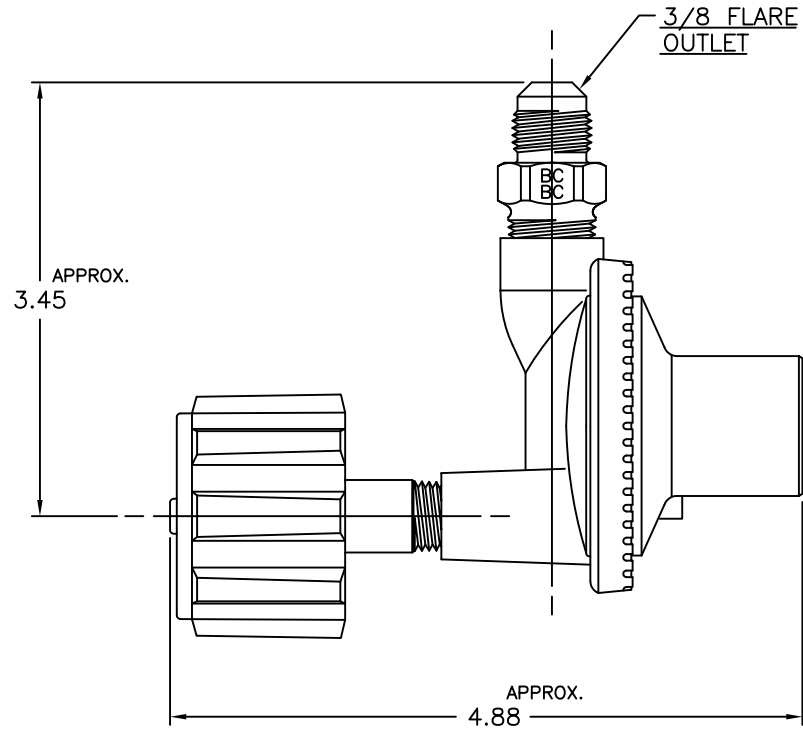







LET.	DATE	PER	BY	CHANGE
A	2/13/04	WFT	KAK	RELEASE



 <b>BrassCraft</b> A Masco Company NOVI, MICHIGAN ALL GDT PER ANSI STD Y14.5M CLASSIFICATION OF QUALITY LEVELS	DESCRIPTION		DRAWING NO.		
	QUICK CONNECT COUPLING W/ 90 DEGREE LP REGULATOR		GPA0324A		
	DRAWN	DATE:	MATERIAL	ITEM DESCRIPTION	
	KLIMKIE	02/13/2004		QRLA66	
CHK'D.	DATE:	VOLUME	ITEM ID		
Schutte	02/13/2004		QRLA66		
APP'D.	DATE:				
KPC (KEY PRODUCT CHARACTERISTICS)  STPC (STANDARD PRODUCT CHARACTERISTICS)  PRODUCT MARKINGS 		NOTE: UNLESS OTHERWISE SPECIFIED TWO PLACE DECIMALS +/- .010 THREE PLACE DECIMALS +/- .005 ANGULARITY +/- 1°	 UNITS INCH	SCALE: (UNLESS NOTED) FULL	REV. A

This drawing and all data contained herein is the confidential and exclusive property of BrassCraft Manufacturing, and shall not be disclosed to others without the written consent of BrassCraft. This drawing must be returned to BrassCraft if requested.