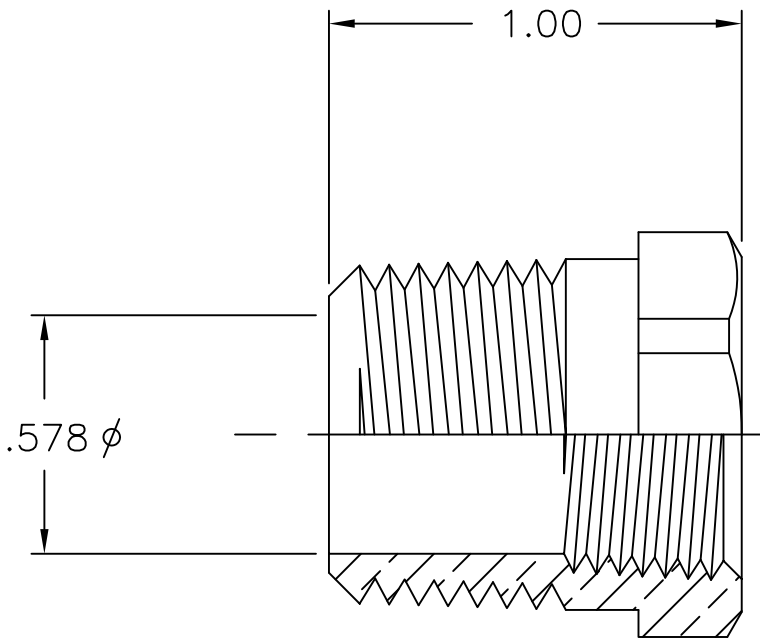
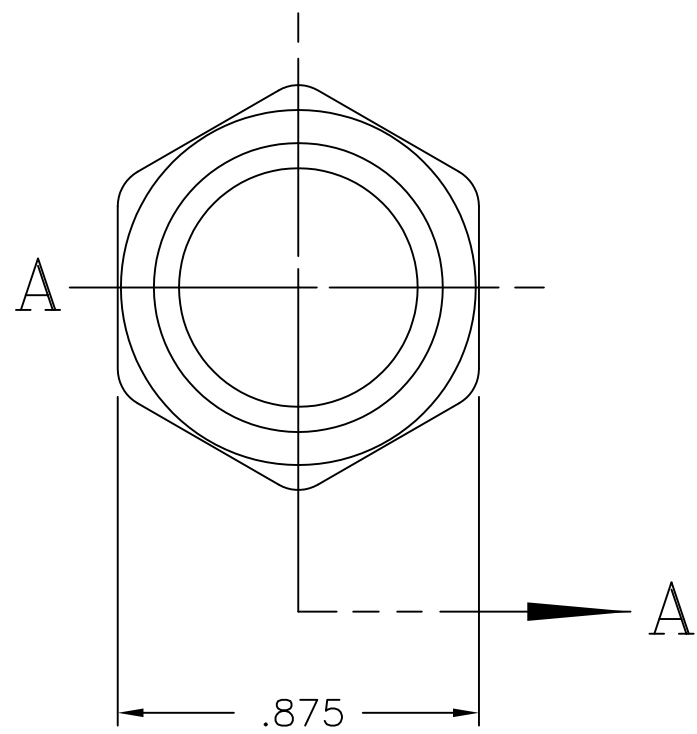


LET.	DATE	PER	BY	CHANGE
A	10/26/04	KAK	MJP	RELEASE



SECTION A-A



NOVI, MICHIGAN	
ALL GDT PER ANSI STD Y14.5M CLASSIFICATION OF QUALITY LEVELS	
CLASS	SYMBOL
KPC (KEY PRODUCT CHARACTERISTICS)	◇
STPC (STANDARD PRODUCT CHARACTERISTICS)	△
PRODUCT MARKINGS	○

DESCRIPTION 1/2 MIP X 3/8 FIP REDUCER BUSHING (SUBMITTAL)	
DRAWN PERNAK	DATE: 10/26/2004
CHK'D. Klimkie	DATE: 10/27/2004
APP'D.	DATE:
NOTE: UNLESS OTHERWISE SPECIFIED TWO PLACE DECIMALS    +/- .010 THREE PLACE DECIMALS    +/- .005 ANGULARITY                    +/- 1°	

DRAWING NO. PFB0058A
ITEM DESCRIPTION 209-8-6
ITEM ID PRB-8-6 B
UNITS INCH
SCALE: (UNLESS NOTED) 2:1
REV. A

This drawing and all data contained herein is the confidential and exclusive property of BrassCraft Manufacturing, and shall not be disclosed to others without the written consent of BrassCraft. This drawing must be returned to BrassCraft if requested.