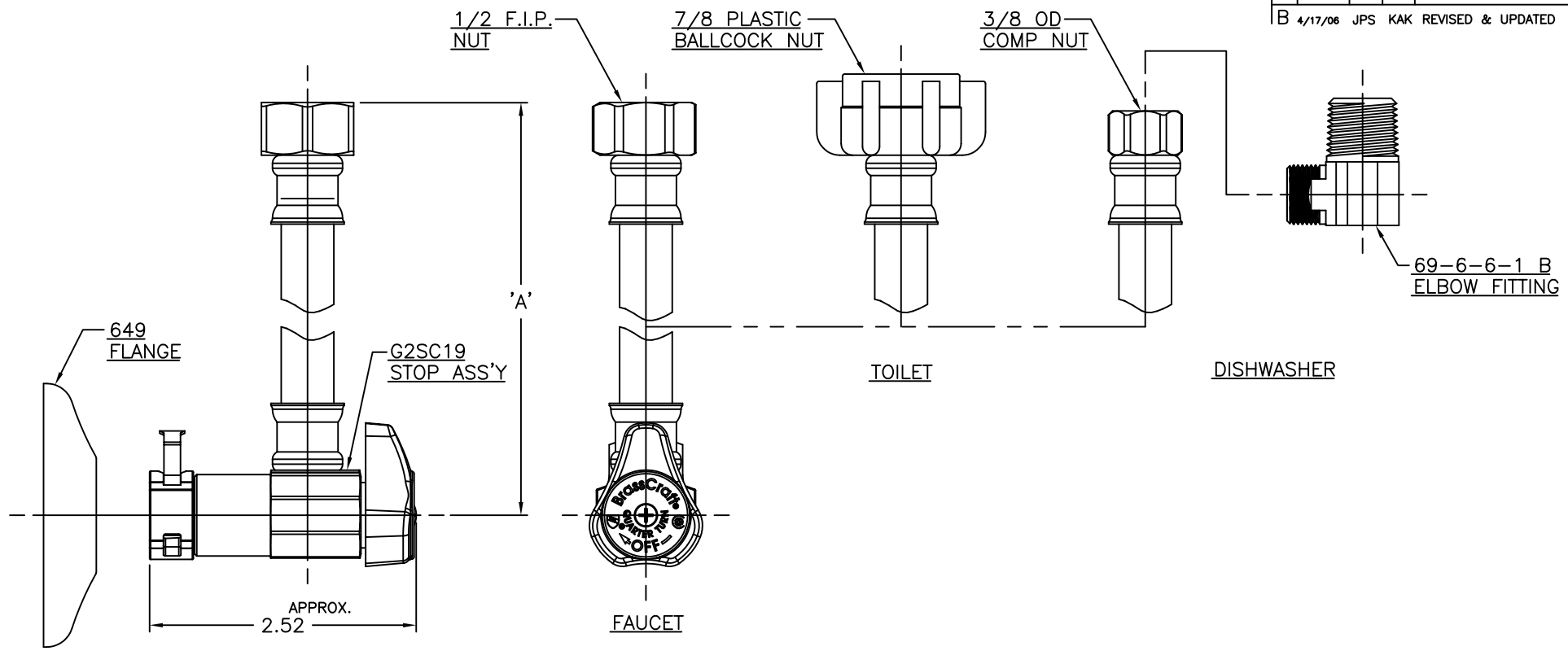


LET.	DATE	PER	BY	CHANGE
B	4/17/06	JPS	KAK	REVISED & UPDATED



ITEM I.D.	DESCRIPTION	DIM 'A'
G2SC19B120DL C	SURECONNECT X 7/8 BALLCOCK NUT W/ 12" RISER (TOILET)	12.50/13.50
G2SC19B160A C	SURECONNECT X 1/2 F.I.P. W/ 16" RISER (FAUCET)	16.50/17.50
G2SC19B200A C	SURECONNECT X 1/2 F.I.P. W/ 20" RISER (FAUCET)	20.50/21.50
G2SC19B720DW6 C	SURECONNECT X 3/8 OD COMP NUT W/ 72" RISER & FITTING (DISHWASHER)	72.50/73.50

This drawing and all data contained herein is the confidential and exclusive property of BrassCraft Manufacturing, and shall not be disclosed to others without the written consent of BrassCraft. This drawing must be returned to BrassCraft if requested.



ALL GDT PER ANSI STD Y14.5M
 CLASSIFICATION OF QUALITY LEVELS
 CLASS SYMBOL
 KPC (KEY PRODUCT CHARACTERISTICS) \diamond
 STPC (STANDARD PRODUCT CHARACTERISTICS) \triangle
 PRODUCT MARKINGS \square

DESCRIPTION
 SURECONNECT X SPEEDI-ONE
 QUARTER TURN ANGLE STOP (SUBMITTAL)
 DRAWN DATE: KLIMKIE 04/05/2006
 CHK'D DATE: Schutte 04/18/2006
 APP'D DATE:

NOTE: UNLESS OTHERWISE SPECIFIED
 TWO PLACE DECIMALS +/- .010
 THREE PLACE DECIMALS +/- .005
 ANGULARITY +/- 1'

DRAWING NO. VPA1062B
 ITEM DESCRIPTION G2SC19B120DL
 SEE CHART
 ITEM ID G2SC19B120DL C
 SEE CHART

UNITS INCH
 SCALE: (UNLESS NOTED) FULL
 REV. B