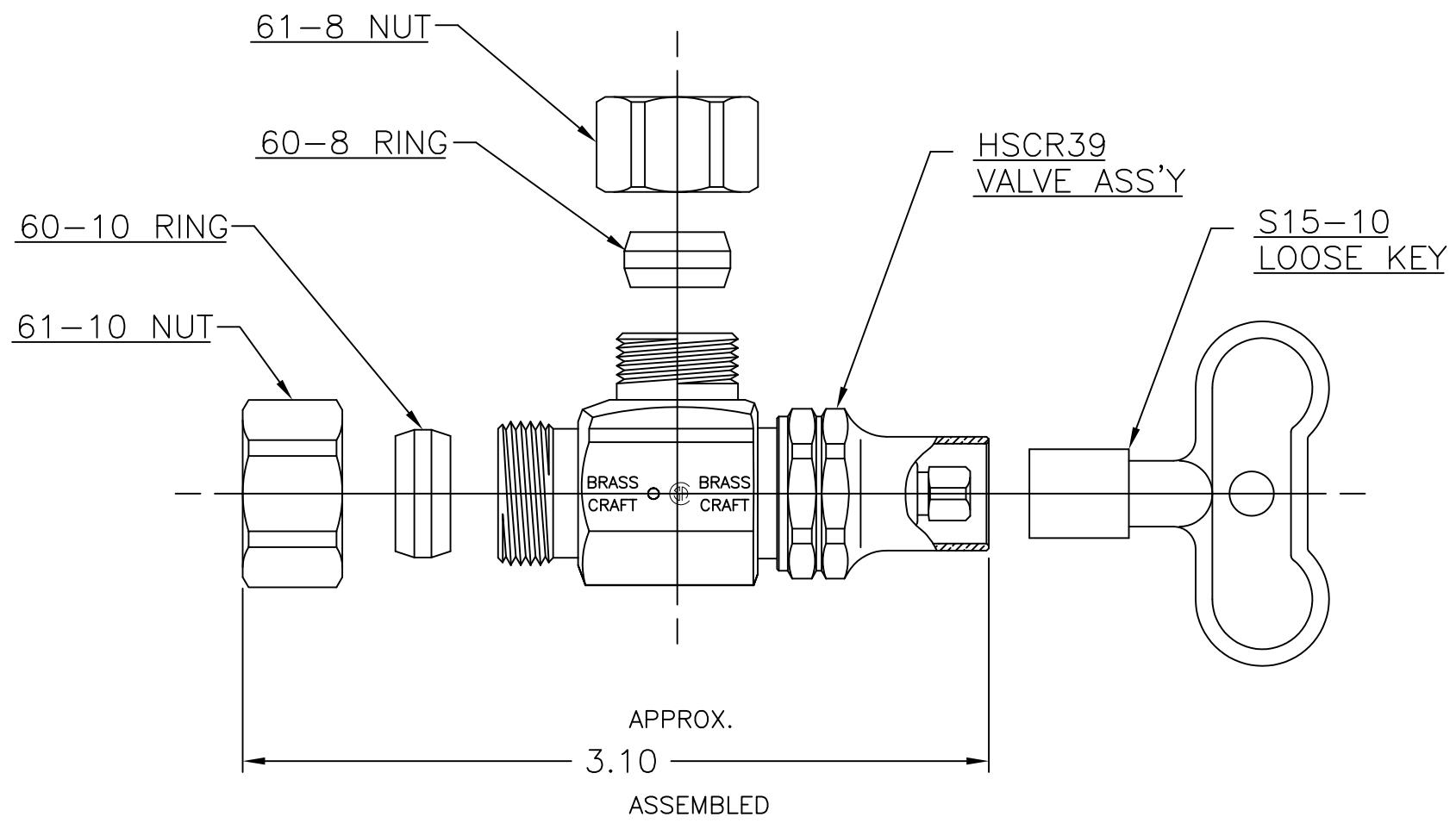



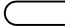



LET.	DATE	PER	BY	CHANGE
C	3/13/03	WFT	MJP	REVISED & UPDATED



 <b>BrassCraft</b> <sup>®</sup> A Masco Company NOVI, MICHIGAN ALL GDT PER ANSI STD Y14.5M CLASSIFICATION OF QUALITY LEVELS	DESCRIPTION		DRAWING NO.	
	1/2 NOM COMP X 1/2 OD COMP HVY PTRN VALVE W/LOOSE KEY (SUBMITTAL)		VPA0682C	
	DRAWN PERNAK	DATE: 3/13/2003	MATERIAL	ITEM DESCRIPTION
	CHK'D. Klimkie	DATE: 04/29/2003	VOLUME	HSCR39
APP'D.  	DATE:  		ITEM ID	
			HSCR39 C	
CLASS SYMBOL KPC (KEY PRODUCT CHARACTERISTICS)  STPC (STANDARD PRODUCT CHARACTERISTICS)  PRODUCT MARKINGS 	NOTE: UNLESS OTHERWISE SPECIFIED TWO PLACE DECIMALS +/- .010 THREE PLACE DECIMALS +/- .005 ANGULARITY +/- 1°	 SIZE	UNITS INCH	SCALE: (UNLESS NOTED) FULL
				REV. C

This drawing and all data contained herein is the confidential and exclusive property of BrassCraft Manufacturing, and shall not be disclosed to others without the written consent of BrassCraft. This drawing must be returned to BrassCraft if requested.