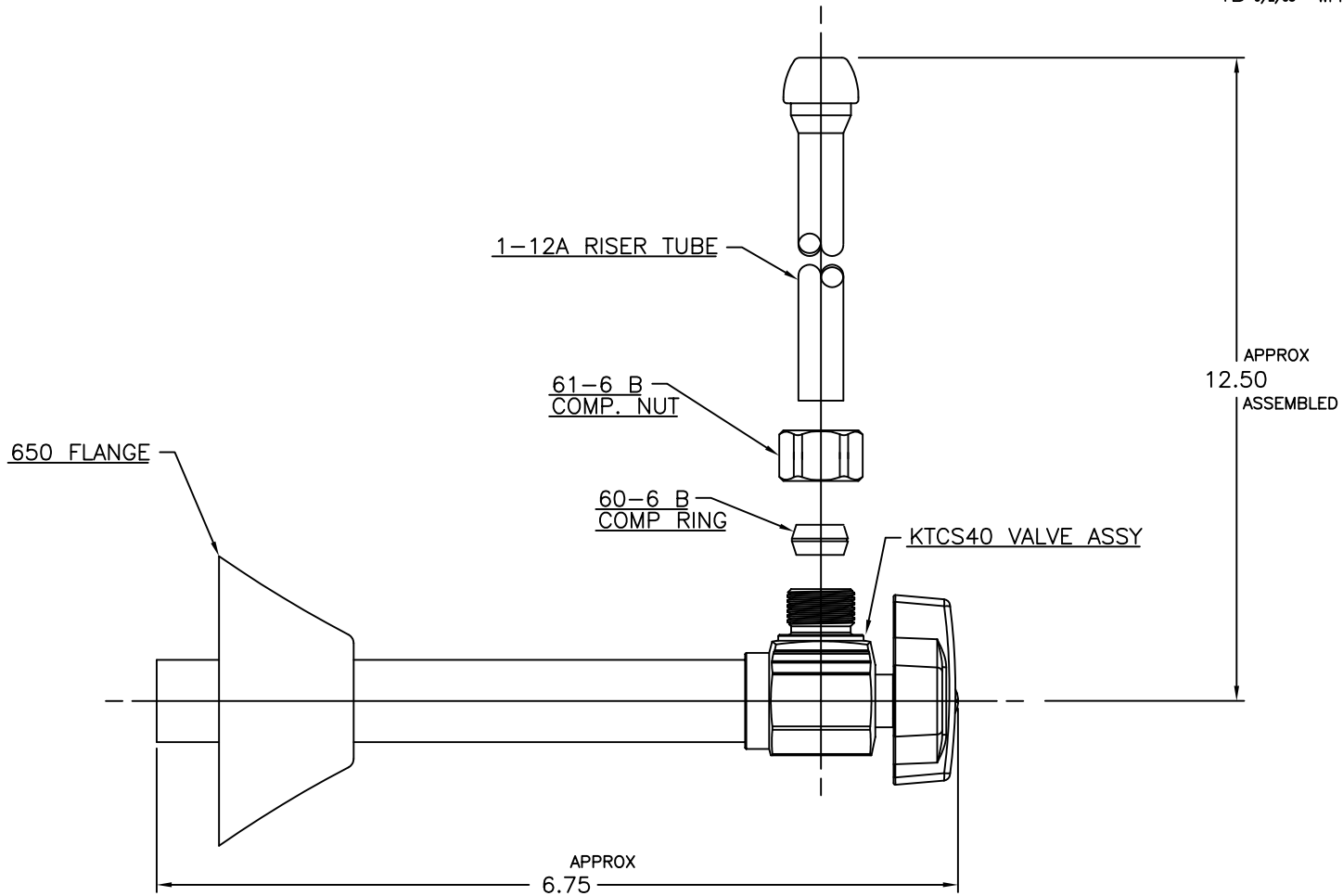


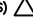




LET.	DATE	PER	BY	CHANGE
B	9/2/03	WFT	KAK	REVISED & UPDATED



 BrassCraft A Masco Company NOVI, MICHIGAN	DESCRIPTION 1/2 NOM SWT X 3/8 OD COMP 1/4 TURN BALL VALVE W/5" EXT. & RISER (SUBMITTAL)		DRAWING NO. VPA0816B	
	DRAWN DATE: SCHUTTE 08/23/2001	MATERIAL		ITEM DESCRIPTION KTCS400A
	CHK'D. DATE: Green 09/11/2003	VOLUME		ITEM ID KTCS400A C
	APP'D. DATE:	NOTE: UNLESS OTHERWISE SPECIFIED TWO PLACE DECIMALS +/- .010 THREE PLACE DECIMALS +/- .005 ANGULARITY +/- 1°		UNITS INCH
ALL GDT PER ANSI STD Y14.5M CLASSIFICATION OF QUALITY LEVELS		CLASS SYMBOL		SCALE: (UNLESS NOTED) FULL
KPC (KEY PRODUCT CHARACTERISTICS) 		STPC (STANDARD PRODUCT CHARACTERISTICS) 		REV. B
PRODUCT MARKINGS 		SIZE 		

This drawing and all data contained herein is the confidential and exclusive property of BrassCraft Manufacturing, and shall not be disclosed to others without the written consent of BrassCraft. This drawing must be returned to BrassCraft if requested.