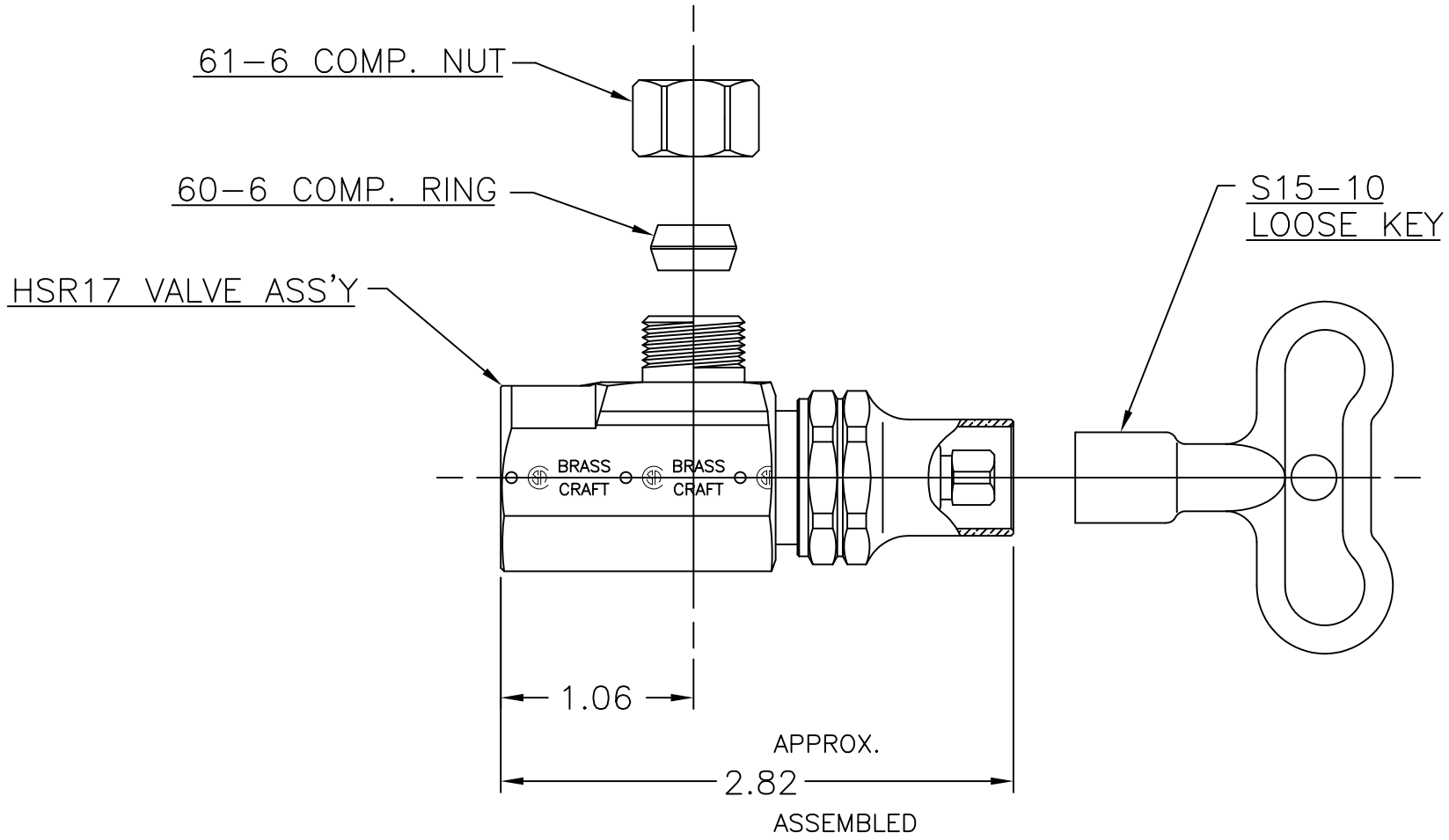


LET.	DATE	PER	BY	CHANGE
C	3/13/03	WFT	MJP	REVISED & UPDATED



DESCRIPTION 1/2 FIP X 3/8 OD COMP HWY PTRN VALVE W/LOOSE KEY (SUBMITTAL)		DRAWING NO. VPA0638C	
DRAWN PERNAK	DATE: 3/13/2003	MATERIAL	ITEM DESCRIPTION HSR17
CHK'D. Klimkie	DATE: 04/29/2003	VOLUME	ITEM ID HSR17 C
APP'D.	DATE:	UNITS INCH	SCALE: (UNLESS NOTED) FULL
NOTE: UNLESS OTHERWISE SPECIFIED TWO PLACE DECIMALS +/- .010 THREE PLACE DECIMALS +/- .005 ANGULARITY +/- 1°		SIZE A	REV. C

This drawing and all data contained herein is the confidential and exclusive property of BrassCraft Manufacturing, and shall not be disclosed to others without the written consent of BrassCraft. This drawing must be returned to BrassCraft if requested.

ALL GDT PER ANSI STD Y14.5M CLASSIFICATION OF QUALITY LEVELS	
CLASS	SYMBOL
KPC (KEY PRODUCT CHARACTERISTICS)	◇
STPC (STANDARD PRODUCT CHARACTERISTICS)	△
PRODUCT MARKINGS	○