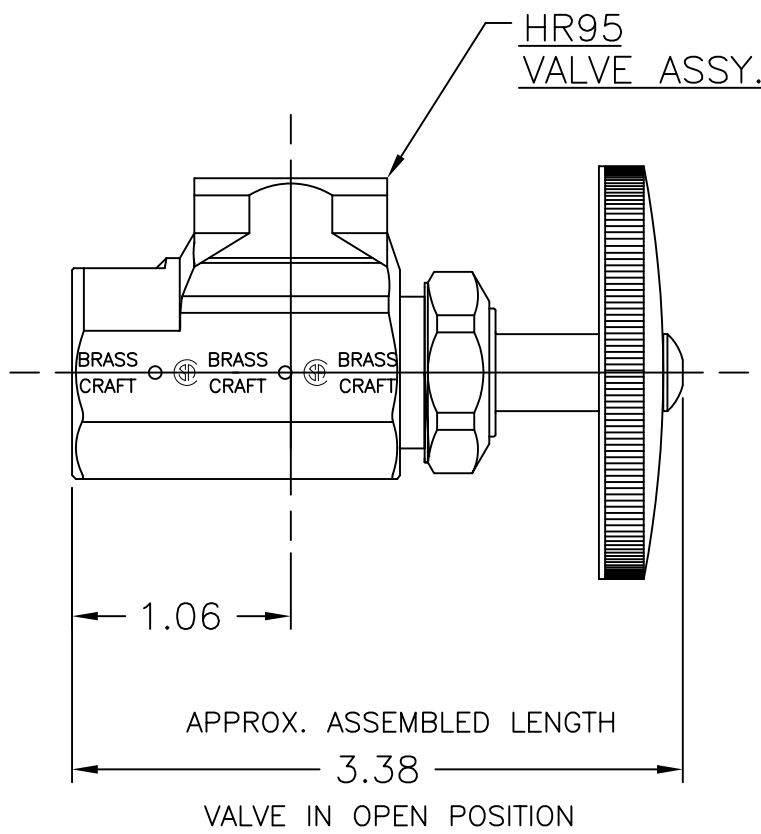



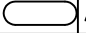



LET.	DATE	PER	BY	CHANGE
B	3/12/03	WFT	MJP	REVISED & UPDATED



 BrassCraft [®] A Masco Company NOVI, MICHIGAN ALL GDT PER ANSI STD Y14.5M CLASSIFICATION OF QUALITY LEVELS	DESCRIPTION		DRAWING NO.			
	3/8 FIP X 3/8 FIP HVY PTRN VALVE (SUBMITTAL)		VPA0675B			
	DRAWN PERNAK	DATE: 3/12/2003	MATERIAL	ITEM DESCRIPTION		
	CHK'D. Klimkie	DATE: 04/11/2003		HR95Z		
CLASS KPC (KEY PRODUCT CHARACTERISTICS)	SYMBOL 	VOLUME	ITEM ID			
STPC (STANDARD PRODUCT CHARACTERISTICS)			HR95Z C			
PRODUCT MARKINGS		NOTE: UNLESS OTHERWISE SPECIFIED TWO PLACE DECIMALS +/- .010 THREE PLACE DECIMALS +/- .005 ANGULARITY +/- 1°	 SIZE	UNITS INCH	SCALE: (UNLESS NOTED) FULL	REV. B

This drawing and all data contained herein is the confidential and exclusive property of BrassCraft Manufacturing, and shall not be disclosed to others without the written consent of BrassCraft. This drawing must be returned to BrassCraft if requested.