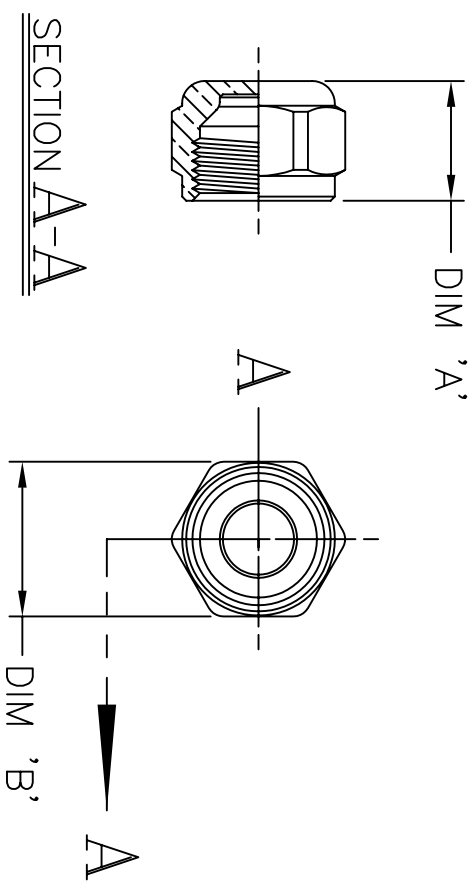


LET. DATE PER BY CHANGE  
 A 1/18/06 KAK MJP RELEASE

ITEM I.D.	TUBE SIZE	STRAIGHT THREAD	DIM 'A'	DIM 'B'
40-3 B	3/16	3/8-24	.47	1/2
40-4 B	1/4	7/16-20	.56	9/16
40-5 B	5/16	1/2-20	.62	5/8
40-6 B	3/8	5/8-18	.58	3/4
40-8 B	1/2	3/4-16	.69	7/8
40-10 B	5/8	7/8-14	.75	1-1/16



ALL GDT PER ANSI STD Y14.5M  
 CLASSIFICATION OF QUALITY LEVELS  
 CLASS SYMBOL

KPC (KEY PRODUCT CHARACTERISTICS)  
 STPC(STANDARD PRODUCT CHARACTERISTICS)  
 PRODUCT MARKINGS



DESCRIPTION FLARE FITTING CAP (SUBMITTAL)		DRAWING NO. FFC0059A	
DRAWN PERNAK	DATE: 01/18/2006	MATERIAL	ITEM DESCRIPTION 40-3
CHK'D. Kirmkie	DATE: 01/18/2006	VOLUME	ITEM ID 40-3 B
APP'D.	DATE:		SEE CHART
NOTE: UNLESS OTHERWISE SPECIFIED TWO PLACE DECIMALS THREE PLACE DECIMALS ANGULARITY			40-3 B
			REV. A

This drawing and all data contained herein is the confidential and exclusive property of BrassCraft Manufacturing, and shall not be disclosed to others without the written consent of BrassCraft. This drawing must be returned to BrassCraft if requested.