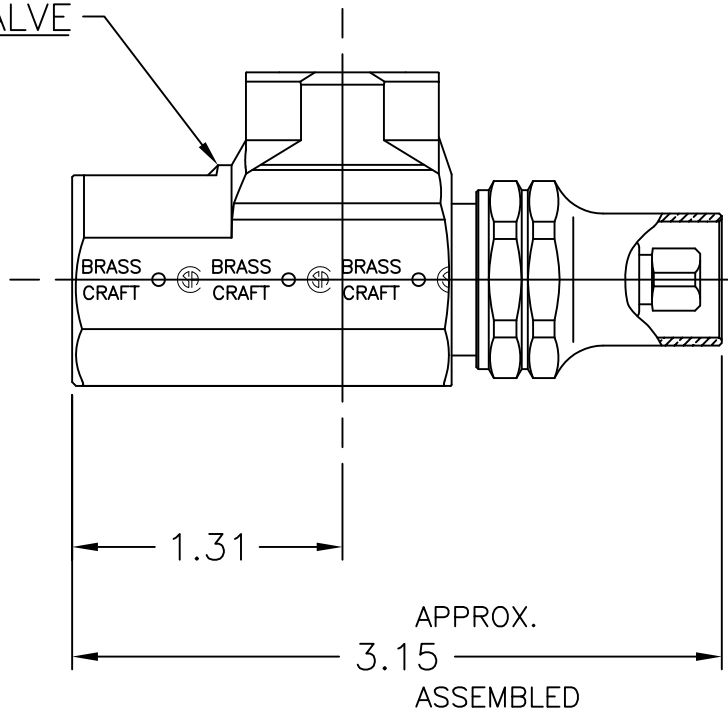


LET.	DATE	PER	BY	CHANGE
D	3/14/03	WFT	MJP	REVISED & UPDATED

HSR87 VALVE
ASS'Y



S15-10
LOOSE KEY



NOVI, MICHIGAN	
ALL GDT PER ANSI STD Y14.5M CLASSIFICATION OF QUALITY LEVELS	
CLASS	SYMBOL
KPC (KEY PRODUCT CHARACTERISTICS)	◇
STPC (STANDARD PRODUCT CHARACTERISTICS)	△
PRODUCT MARKINGS	○

DESCRIPTION
1/2 FIP X 1/2 FIP HWY PTRN
VALVE W/LOOSE KEY (SUBMITTAL)

DRAWN	DATE:	MATERIAL
PERNAK	3/14/2003	
CHK'D.	DATE:	VOLUME
Klimkie	05/02/2003	
APP'D.	DATE:	

DRAWING NO.
VPA0530D

ITEM DESCRIPTION
HSR87

ITEM ID
HSR87 C

This drawing and all data contained herein is the confidential and exclusive property of BrassCraft Manufacturing, and shall not be disclosed to others without the written consent of BrassCraft. This drawing must be returned to BrassCraft if requested.

NOTE: UNLESS OTHERWISE SPECIFIED
TWO PLACE DECIMALS +/- .010
THREE PLACE DECIMALS +/- .005
ANGULARITY +/- 1°

A SIZE	UNITS	SCALE: (UNLESS NOTED)	REV.
	INCH	FULL	D