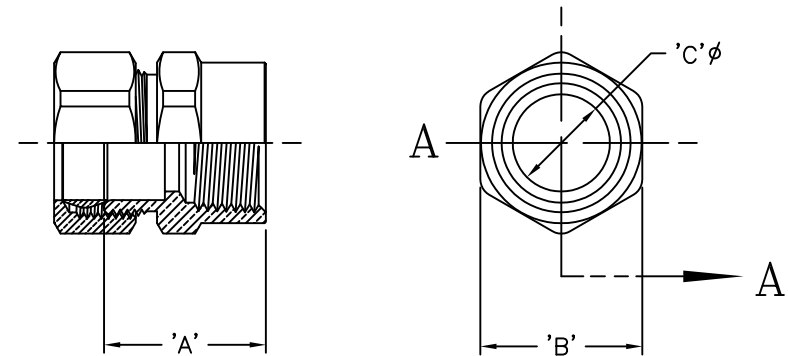




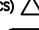


| LET. | DATE | PER | BY | CHANGE |
|------|---------|-----|-----|-------------------|
| A | 1/26/05 | KAK | MJP | REVISED & UPDATED |

| ITEM I.D. (BRASS) | ITEM I.D. (CHROME) | TUBE SIZE | PIPE THREAD | STRAIGHT THREAD | DIM 'A' | DIM 'B' | DIM 'C' |
|-------------------|--------------------|-----------|-------------|-----------------|---------|---------|---------|
| 66-2-2 B | - | 1/8 | 1/8 | 5/16-24 | .75 | 1/2 | .091 |
| 66-3-2 B | - | 3/16 | 1/8 | 3/8-24 | .78 | 9/16 | .125 |
| 66-3-4 B | - | 3/16 | 1/4 | 3/8-24 | .96 | 11/16 | .125 |
| 66-4-2 B | - | 1/4 | 1/8 | 7/16-24 | .87 | 1/2 | .187 |
| 66-4-4 B | - | 1/4 | 1/4 | 7/16-24 | .94 | 5/8 | .187 |
| 66-4-6 B | - | 1/4 | 3/8 | 7/16-24 | 1.03 | 3/4 | .187 |
| 66-4-8 B | - | 1/4 | 1/2 | 7/16-24 | 1.20 | 1 | .190 |
| 66-5-2 B | - | 5/16 | 1/8 | 1/2-24 | .82 | 1/2 | .250 |
| 66-5-4 B | - | 5/16 | 1/4 | 1/2-24 | .92 | 5/8 | .250 |
| 66-5-6 B | - | 5/16 | 3/8 | 1/2-24 | .99 | 13/16 | .312 |
| 66-6-2 B | - | 3/8 | 1/8 | 9/16-24 | .89 | 9/16 | .316 |
| 66-6-4 B | - | 3/8 | 1/4 | 9/16-24 | .88 | 11/16 | .343 |
| 66-6-6 B | 66-6-6 C | 3/8 | 3/8 | 9/16-24 | .91 | 3/4 | .312 |
| 66-6-8 B | 66-6-8 C | 3/8 | 1/2 | 9/16-24 | 1.00 | 7/8 | .343 |
| 66-6-12 B | - | 3/8 | 3/4-14 | 9/16-24 | 1.187 | 1-5/32 | .312 |
| 66-8-4 B | - | 1/2 | 1/4 | 11/16-20 | 1.08 | 11/16 | .410 |
| 66-8-6 B | - | 1/2 | 3/8 | 11/16-20 | .91 | 3/4 | .406 |
| 66-8-8 B | 66-8-8 C | 1/2 | 1/2 | 11/16-20 | 1.00 | 7/8 | .437 |
| 66-8-12 B | - | 1/2 | 3/4-14 | 11/16-20 | 1.250 | 1-5/32 | .406 |
| 66-10-6 B | - | 5/8 | 3/8 | 13/16-18 | 1.06 | 13/16 | .500 |
| 66-10-8 B | - | 5/8 | 1/2 | 13/16-18 | 1.11 | 1 | .531 |
| 66-10-12 B | - | 5/8 | 3/4 | 13/16-18 | 1.56 | 1-1/4 | .500 |
| 66-12-8 B | - | 3/4 | 1/2 | 1-18 | 1.25 | 1-1/16 | .562 |
| 66-12-12 B | - | 3/4 | 3/4 | 1-18 | 1.45 | 1-1/4 | .750 |
| 66-14-12 B | - | 7/8 | 3/4 | 1-1/8-18 | 1.25 | 1-1/4 | .750 |



SECTION A-A

This drawing and all data contained herein is the confidential and exclusive property of BrassCraft Manufacturing, and shall not be disclosed to others without the written consent of BrassCraft. This drawing must be returned to BrassCraft if requested.

| | | | | | |
|---|---|---------------------|---|---|-----------------------|
|  A Masco Company NOVI, MICHIGAN ALL GDT PER ANSI STD Y14.5M CLASSIFICATION OF QUALITY LEVELS CLASS SYMBOL KPC (KEY PRODUCT CHARACTERISTICS)  STPC (STANDARD PRODUCT CHARACTERISTICS)  PRODUCT MARKINGS  | DESCRIPTION COMPRESSION X FIP UNION (SUBMITTAL) | | DRAWING NO. CFU0229A | | |
| | DRAWN PERNAK | DATE: 01/26/2005 | MATERIAL | ITEM DESCRIPTION 66-2-2 | |
| | CHK'D. Klimkie | DATE: 01/27/2005 | VOLUME | ITEM ID 66-2-2 B SEE CHART | |
| | APP'D. | DATE: | NOTE: UNLESS OTHERWISE SPECIFIED TWO PLACE DECIMALS +/- .010 THREE PLACE DECIMALS +/- .005 ANGULARITY +/- 1° |  UNITS INCH | SCALE: (FULL) FULL |
| | | | REV. A | | |