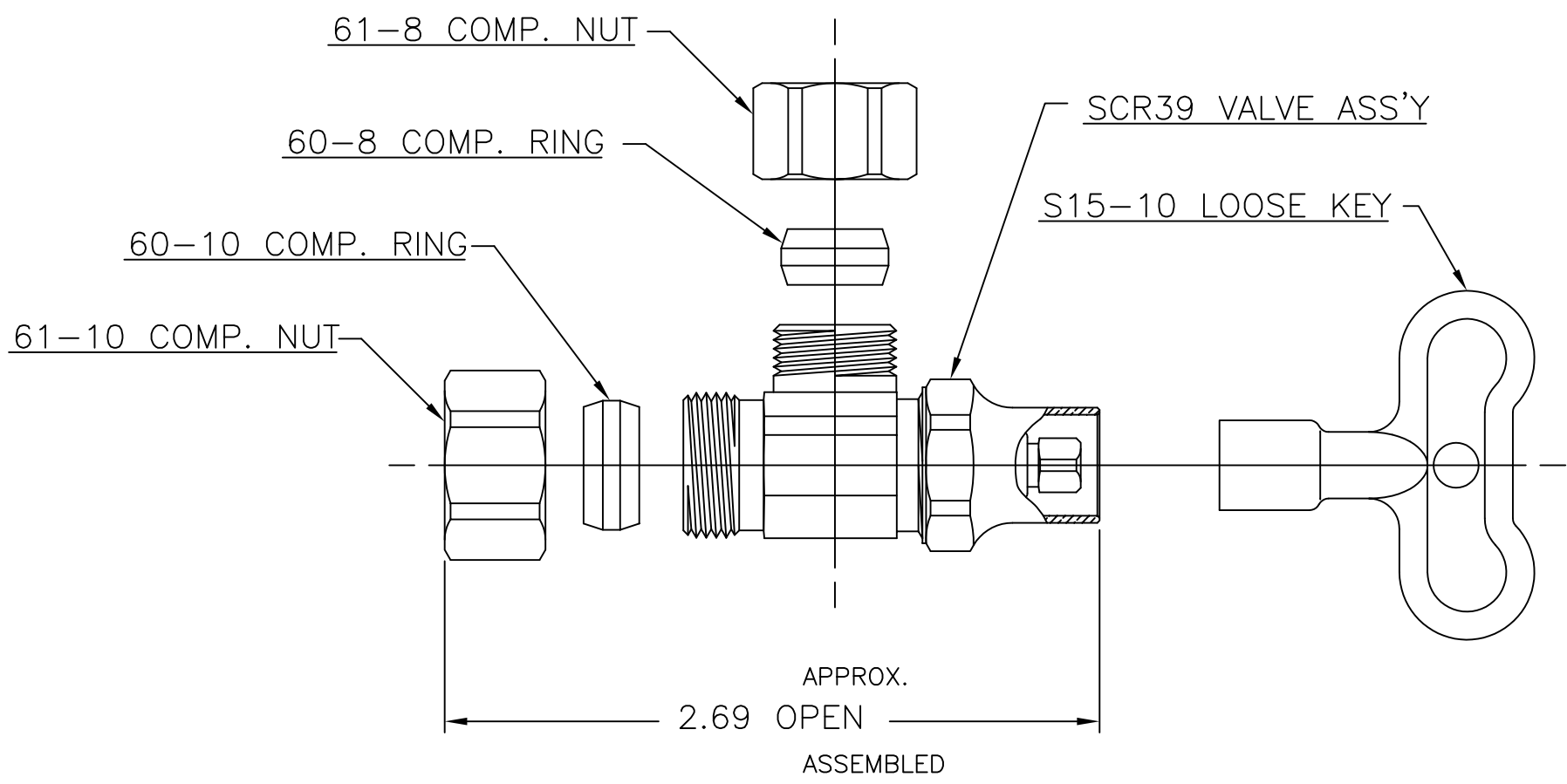







LET.	DATE	PER	BY	CHANGE
C	10/16/06	JPS	KAK	REVISED & UPDATED



 BrassCraft [®] A Masco Company NOVI, MICHIGAN ALL GDT PER ANSI STD Y14.5M CLASSIFICATION OF QUALITY LEVELS	DESCRIPTION		DRAWING NO.			
	1/2 NOM. COMP. X 1/2 OD COMP. VALVE W/LOOSE KEY (SUBMITTAL)		VPA0886C			
	DRAWN	DATE:	MATERIAL	ITEM DESCRIPTION		
	SCHUTTE	07/12/2002		SCR39		
CHK'D.	DATE:	VOLUME	ITEM ID			
JPS	10/16/2006		SCR39 C			
APP'D.	DATE:					
KPC (KEY PRODUCT CHARACTERISTICS)  STPC (STANDARD PRODUCT CHARACTERISTICS)  PRODUCT MARKINGS 		NOTE: UNLESS OTHERWISE SPECIFIED TWO PLACE DECIMALS +/- .010 THREE PLACE DECIMALS +/- .005 ANGULARITY +/- 1°	 SIZE	UNITS INCH	SCALE: (UNLESS NOTED) FULL	REV. C

This drawing and all data contained herein is the confidential and exclusive property of BrassCraft Manufacturing, and shall not be disclosed to others without the written consent of BrassCraft. This drawing must be returned to BrassCraft if requested.