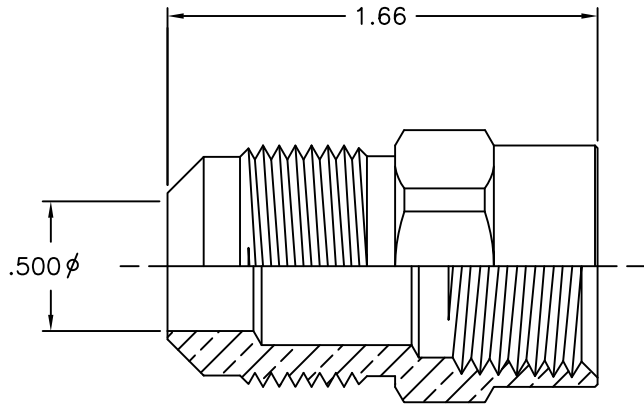
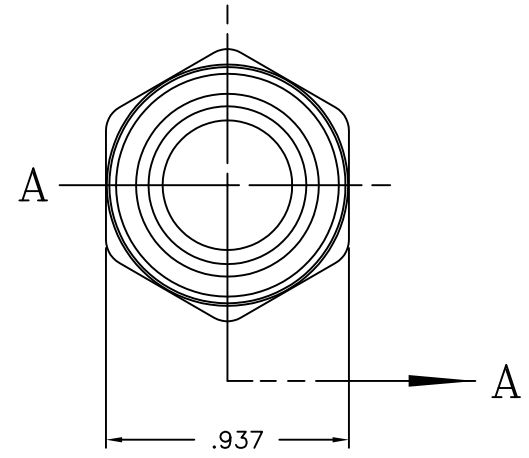







LET.	DATE	PER	BY	CHANGE
A	2/27/04	JPS	KAK	RELEASE



SECTION A-A



This drawing and all data contained herein is the confidential and exclusive property of BrassCraft Manufacturing, and shall not be disclosed to others without the written consent of BrassCraft. This drawing must be returned to BrassCraft if requested.

 BrassCraft A Masco Company NOVI, MICHIGAN ALL GDT PER ANSI STD Y14.5M CLASSIFICATION OF QUALITY LEVELS CLASS SYMBOL KPC (KEY PRODUCT CHARACTERISTICS)  STPC (STANDARD PRODUCT CHARACTERISTICS)  PRODUCT MARKINGS 	DESCRIPTION 5/8 OD FLARE X 1/2 FIP UNION (SUBMITTAL)		DRAWING NO. GPU0332A		
	DRAWN KLIMKIE 02/27/2004	DATE: 02/27/2004	MATERIAL	ITEM DESCRIPTION MAU1-10-8	
	CHK'D. Schutte 02/27/2004	DATE: 02/27/2004	VOLUME	ITEM ID MAU1-10-8 BT	
	APP'D.	DATE:		UNITS INCH	SCALE: (UNLESS NOTED) FULL
NOTE: UNLESS OTHERWISE SPECIFIED TWO PLACE DECIMALS +/- .010 THREE PLACE DECIMALS +/- .005 ANGULARITY +/- 1°		SIZE	REV. A		