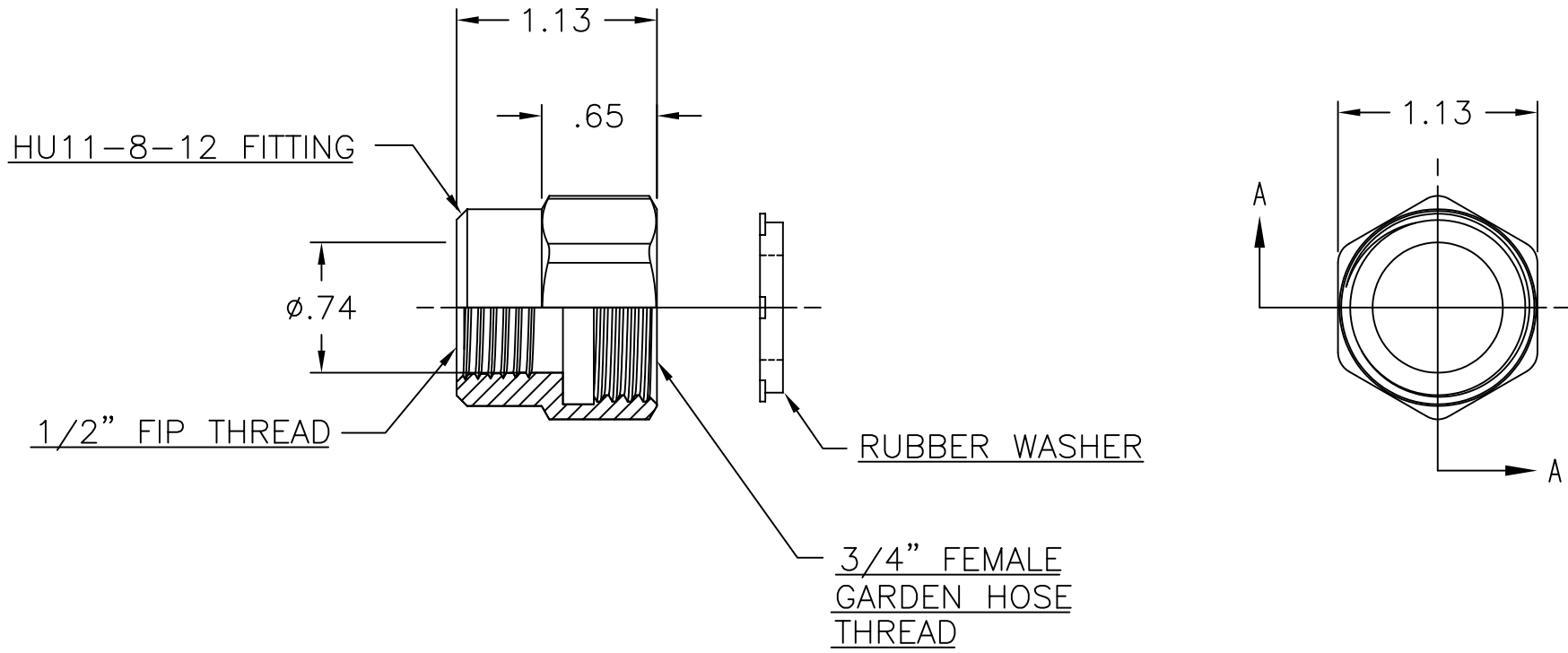


LET.	DATE	PER	BY	CHANGE
A	7/31/09	DCT	DCT	RELEASE



ALL GDT PER ANSI STD Y14.5M CLASSIFICATION OF QUALITY LEVELS	
CLASS	SYMBOL
KPC (KEY PRODUCT CHARACTERISTICS)	◇
STPC (STANDARD PRODUCT CHARACTERISTICS)	△
PRODUCT MARKINGS	○

DESCRIPTION 1/2 FIP x 3/4 FEMALE GARDEN HOSE (SUBMITTAL)		DRAWING NO. HFA0118A	
DRAWN TISCH	DATE: 7/31/09	MATERIAL	ITEM DESCRIPTION HU11-8-12
CHK'D. Schutte	DATE: 08/03/2009		
APP'D.	DATE:	VOLUME	ITEM ID HU11-8-12 B

This drawing and all data contained herein is the confidential and exclusive property of BrassCraft Manufacturing, and shall not be disclosed to others without the written consent of BrassCraft. This drawing must be returned to BrassCraft if requested.

NOTE: UNLESS OTHERWISE SPECIFIED  
 TWO PLACE DECIMALS +/- .010  
 THREE PLACE DECIMALS +/- .005  
 ANGULARITY +/- 1°

A SIZE	UNITS	SCALE: (UNLESS NOTED)	REV.
	INCH	FULL	A