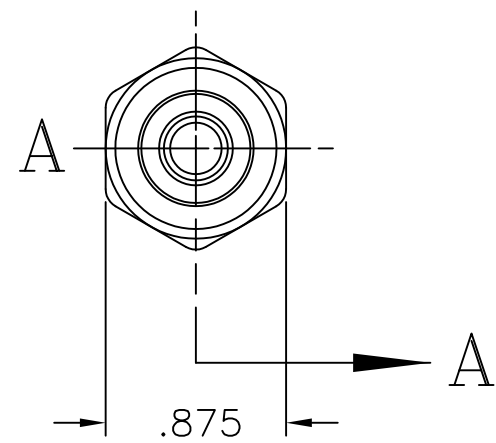
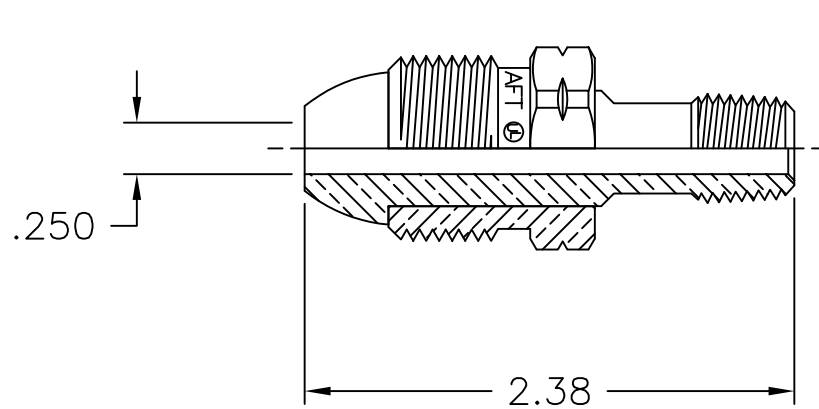


LET.	DATE	PER	BY	CHANGE
A	9/8/03	WFT	MJP	RELEASE



SECTION A-A



NOVI, MICHIGAN	
ALL GDT PER ANSI STD Y14.5M CLASSIFICATION OF QUALITY LEVELS	
CLASS	SYMBOL
KPC (KEY PRODUCT CHARACTERISTICS)	◇
STPC (STANDARD PRODUCT CHARACTERISTICS)	△
PRODUCT MARKINGS	○

DESCRIPTION 1/4 STANDARD POL TAILPIECE AND NUT ASSEMBLY (SUBMITTAL)			DRAWING NO. GPA0323A		
DRAWN PERNAK	DATE: 09/08/2003	MATERIAL	ITEM DESCRIPTION 2002AB		
CHK'D. Klimkie	DATE: 09/08/2003		VOLUME	ITEM ID 2002AB	
APP'D.	DATE:	NOTE: UNLESS OTHERWISE SPECIFIED TWO PLACE DECIMALS +/- .010 THREE PLACE DECIMALS +/- .005 ANGULARITY +/- 1°		UNITS INCH	SCALE: (UNLESS NOTED) FULL
SIZE					

This drawing and all data contained herein is the confidential and exclusive property of BrassCraft Manufacturing, and shall not be disclosed to others without the written consent of BrassCraft. This drawing must be returned to BrassCraft if requested.