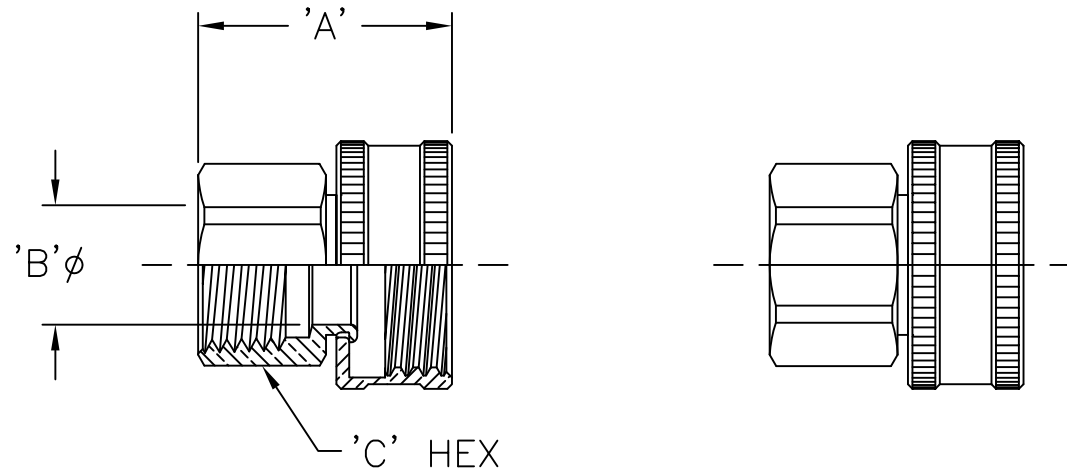





LET.	DATE	PER	BY	CHANGE
A	5/17/05	KAK	MJP	RELEASE



ITEM ID	ITEM DESC.	PIPE THREAD	HOSE THREAD	DIM 'A'	DIM 'B'	'C' HEX
HUS11-8-12 B	HUS11-8-12	1/2	3/4-11-1/2	1.20	.578	7/8
HUS11-12-12 B	HUS11-12-12	3/4	3/4-11-1/2	1.20	.578	1-1/8

 BrassCraft [®] A Masco Company NOVI, MICHIGAN ALL GDT PER ANSI STD Y14.5M CLASSIFICATION OF QUALITY LEVELS	DESCRIPTION FEMALE PIPE TO FEMALE HOSE SWIVEL (SUBMITTAL)		DRAWING NO. HFA0115A	
	DRAWN PERNAK DATE: 05/17/2005	MATERIAL	ITEM DESCRIPTION HUS11-8-12 SEE CHART	
	CHK'D. Klimkie DATE: 05/17/2005	VOLUME	ITEM ID HUS11-8-12 B SEE CHART	
	APP'D. DATE:	NOTE: UNLESS OTHERWISE SPECIFIED TWO PLACE DECIMALS +/- .010 THREE PLACE DECIMALS +/- .005 ANGULARITY +/- 1°	UNITS INCH	SCALE: (UNLESS NOTED) FULL

This drawing and all data contained herein is the confidential and exclusive property of BrassCraft Manufacturing, and shall not be disclosed to others without the written consent of BrassCraft. This drawing must be returned to BrassCraft if requested.

CLASS	SYMBOL
KPC (KEY PRODUCT CHARACTERISTICS)	
STPC (STANDARD PRODUCT CHARACTERISTICS)	
PRODUCT MARKINGS	