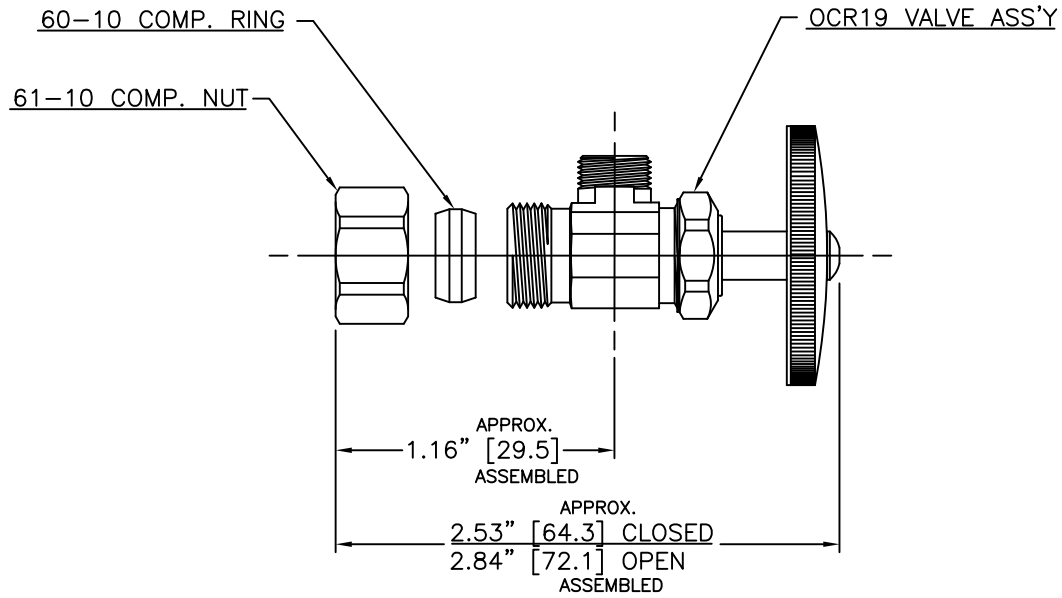







| LET. | DATE     | PER | BY  | CHANGE  |
|------|----------|-----|-----|---------|
| B    | 04/07/08 | ROL | JPS | REVISED |



| ITEM I.D. |           |
|-----------|-----------|
| ROUGH     | CHROME    |
| OCR19L1 R | OCR19L1 C |

NOTE:  
DIMENSIONS IN [ ] ARE MILLIMETER

This drawing and all data contained herein is the confidential and exclusive property of BrassCraft Manufacturing, and shall not be disclosed to others without the written consent of BrassCraft. This drawing must be returned to BrassCraft if requested.

|   |  |  |          |  |                                  |           |
|---|--|--|----------|--|----------------------------------|-----------|
| <br>A Masco Company<br>NOVI, MICHIGAN    |  | DESCRIPTION                                  |          | DRAWING NO.  |                                  |           |
|   |  | 1/2 NOM COMP X 3/8 OD COMP VALVE (SUBMITTAL) |          | VPA0955B   |                                  |           |
| DRAWN   |  | DATE:  | MATERIAL | ITEM DESCRIPTION   |                                  |           |
| PERNAK  |  | 04/20/2004                                   |          | OCR19L1  |                                  |           |
| CHK'D.  |  | DATE:  | VOLUME   | ITEM ID  |                                  |           |
| Learnmont   |  | 04/07/2008                                   |          | OCR19L1 R  |                                  |           |
| APP'D.  |  | DATE:  |          | SEE CHART  |                                  |           |
| KPC (KEY PRODUCT CHARACTERISTICS)        |  | NOTE: UNLESS OTHERWISE SPECIFIED             |          | <br>UNITS<br>INCH | SCALE:<br>(UNLESS NOTED)<br>FULL | REV.<br>B |
| STPC (STANDARD PRODUCT CHARACTERISTICS)  |  | TWO PLACE DECIMALS +/- .010                  |          |  |                                  |           |
| PRODUCT MARKINGS                         |  | THREE PLACE DECIMALS +/- .005                |          |  |                                  |           |
|   |  | ANGULARITY +/- 1°                            |          |  |                                  |           |