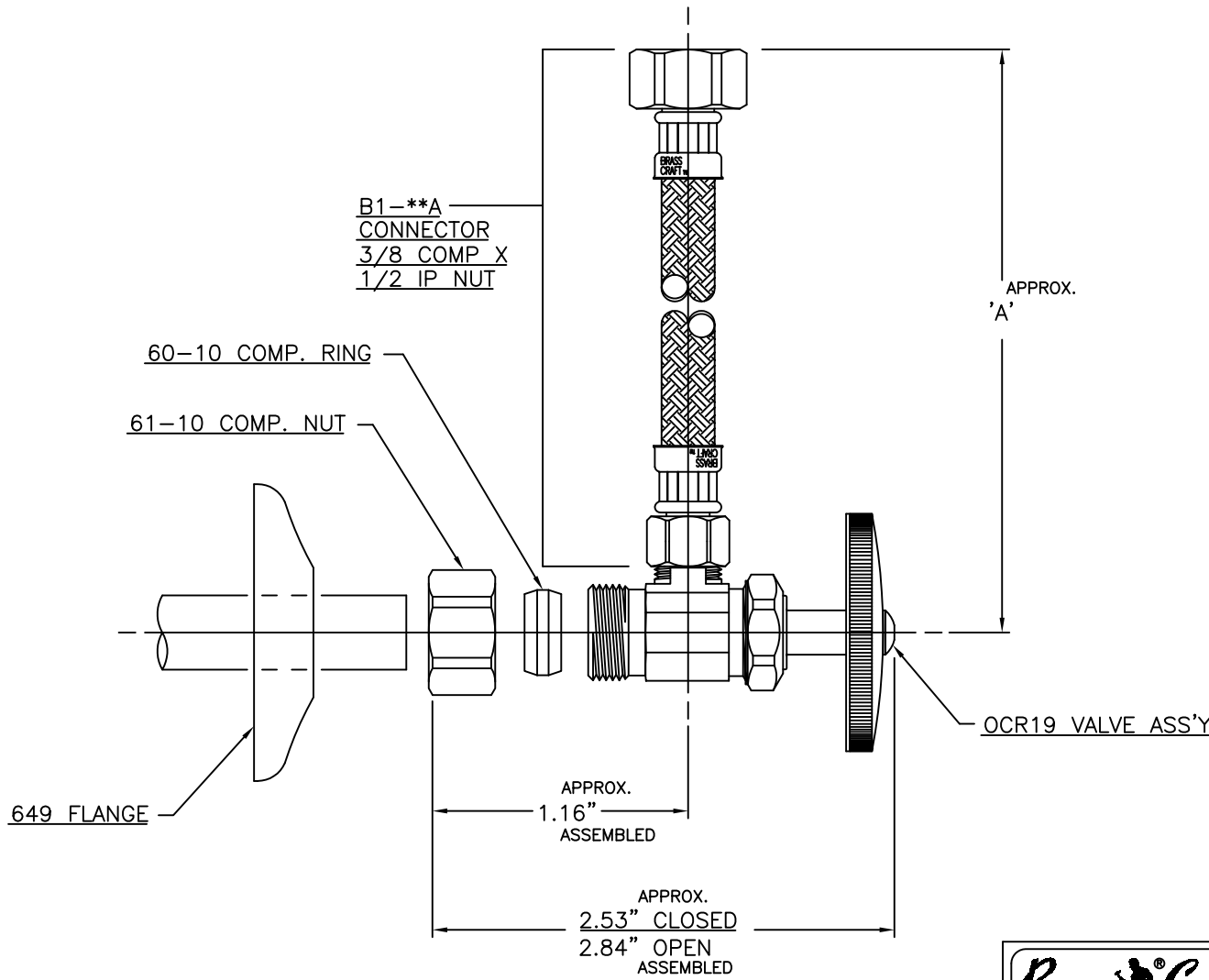



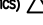



LET.	DATE	PER	BY	CHANGE
D	5/23/03	WFT	MJP	REVISED & UPDATED



ITEM I.D.	ITEM DESC.	DIM "A"
OCR19B12A C	OCR19B12A	12.50/13.50
OCR19B16A C	OCR19B16A	16.50/17.50
OCR19B20A C	OCR19B20A	20.50/21.50

 BrassCraft A Masco Company NOVI, MICHIGAN		DESCRIPTION		DRAWING NO.		
		1/2 NOM COMP X 3/8 OD COMP VALVE W/POLYMER FAUCET RISER (SUBMITTAL)		VPA0579D		
DRAWN	DATE:	MATERIAL	ITEM DESCRIPTION			
PERNAK	11/19/2002		OCR19B12A			
CHK'D.	DATE:	VOLUME	SEE CHART			
Klimkie	05/23/2003		ITEM ID			
APP'D.	DATE:		OCR19B12A C			
			SEE CHART			
ALL GDT PER ANSI STD Y14.5M CLASSIFICATION OF QUALITY LEVELS		NOTE: UNLESS OTHERWISE SPECIFIED TWO PLACE DECIMALS +/- .010 THREE PLACE DECIMALS +/- .005 ANGULARITY +/- 1°	 SIZE	UNITS INCH	SCALE: (UNLESS NOTED) FULL	REV. D
KPC (KEY PRODUCT CHARACTERISTICS)  STPC (STANDARD PRODUCT CHARACTERISTICS)  PRODUCT MARKINGS 		This drawing and all data contained herein is the confidential and exclusive property of BrassCraft Manufacturing, and shall not be disclosed to others without the written consent of BrassCraft. This drawing must be returned to BrassCraft if requested.				