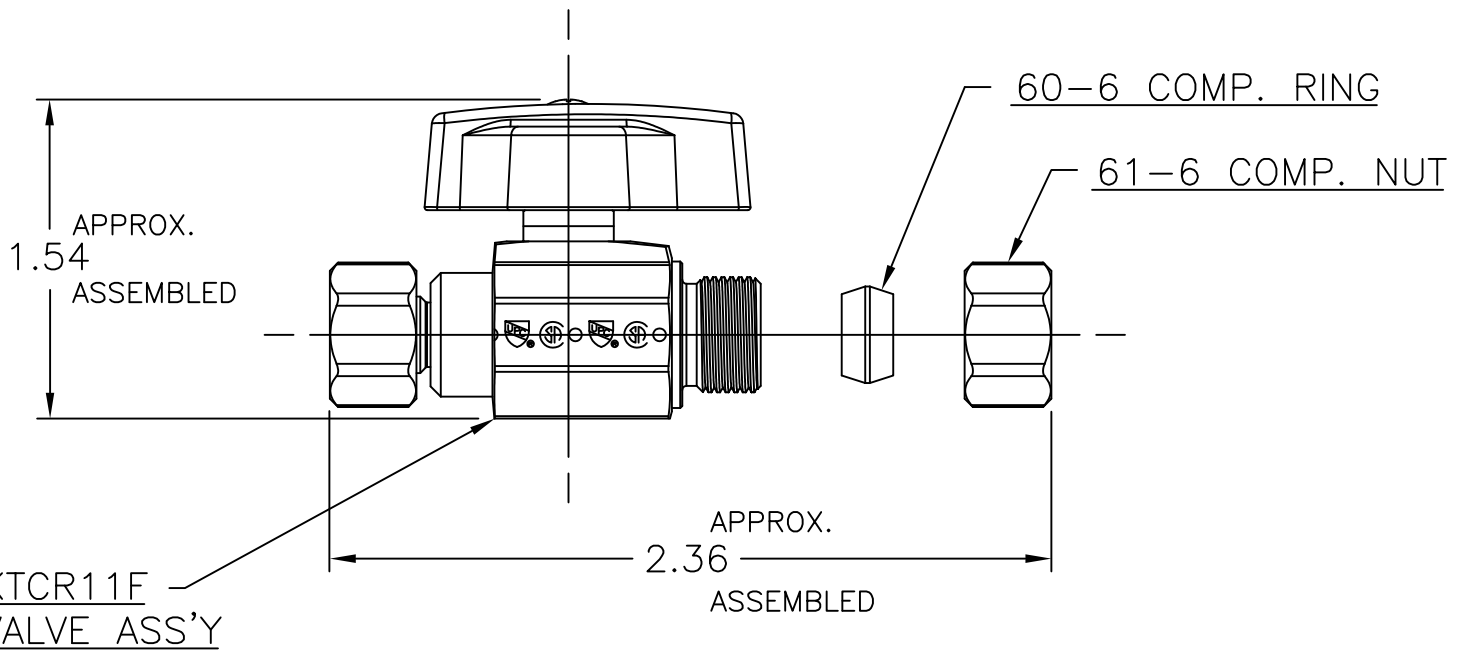
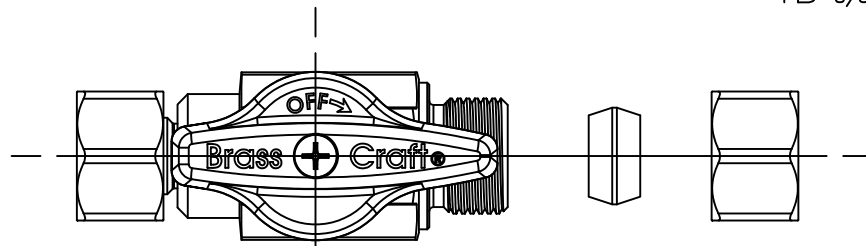


LET.	DATE	PER	BY	CHANGE
B	8/8/03	JPS	MJP	REVISED & UPDATED



NOVI, MICHIGAN	
ALL GDT PER ANSI STD Y14.5M CLASSIFICATION OF QUALITY LEVELS	
CLASS	SYMBOL
KPC (KEY PRODUCT CHARACTERISTICS)	◇
STPC (STANDARD PRODUCT CHARACTERISTICS)	△
PRODUCT MARKINGS	○

DESCRIPTION 3/8 OD FEMALE COMP X 3/8 OD COMP 1/4 TURN STRT BALL VALVE (SUBMITTAL)		DRAWING NO. VPA0804B		
DRAWN SCHUTTE	DATE: 3/16/2001	MATERIAL	ITEM DESCRIPTION KTCR11F	
CHK'D. Klimkie	DATE: 08/08/2003			
APP'D.	DATE:	VOLUME	ITEM ID KTCR11F C	
NOTE: UNLESS OTHERWISE SPECIFIED		UNITS INCH	SCALE: (UNLESS NOTED) FULL	
TWO PLACE DECIMALS				REV. B
THREE PLACE DECIMALS				
ANGULARITY				

This drawing and all data contained herein is the confidential and exclusive property of BrassCraft Manufacturing, and shall not be disclosed to others without the written consent of BrassCraft. This drawing must be returned to BrassCraft if requested.

