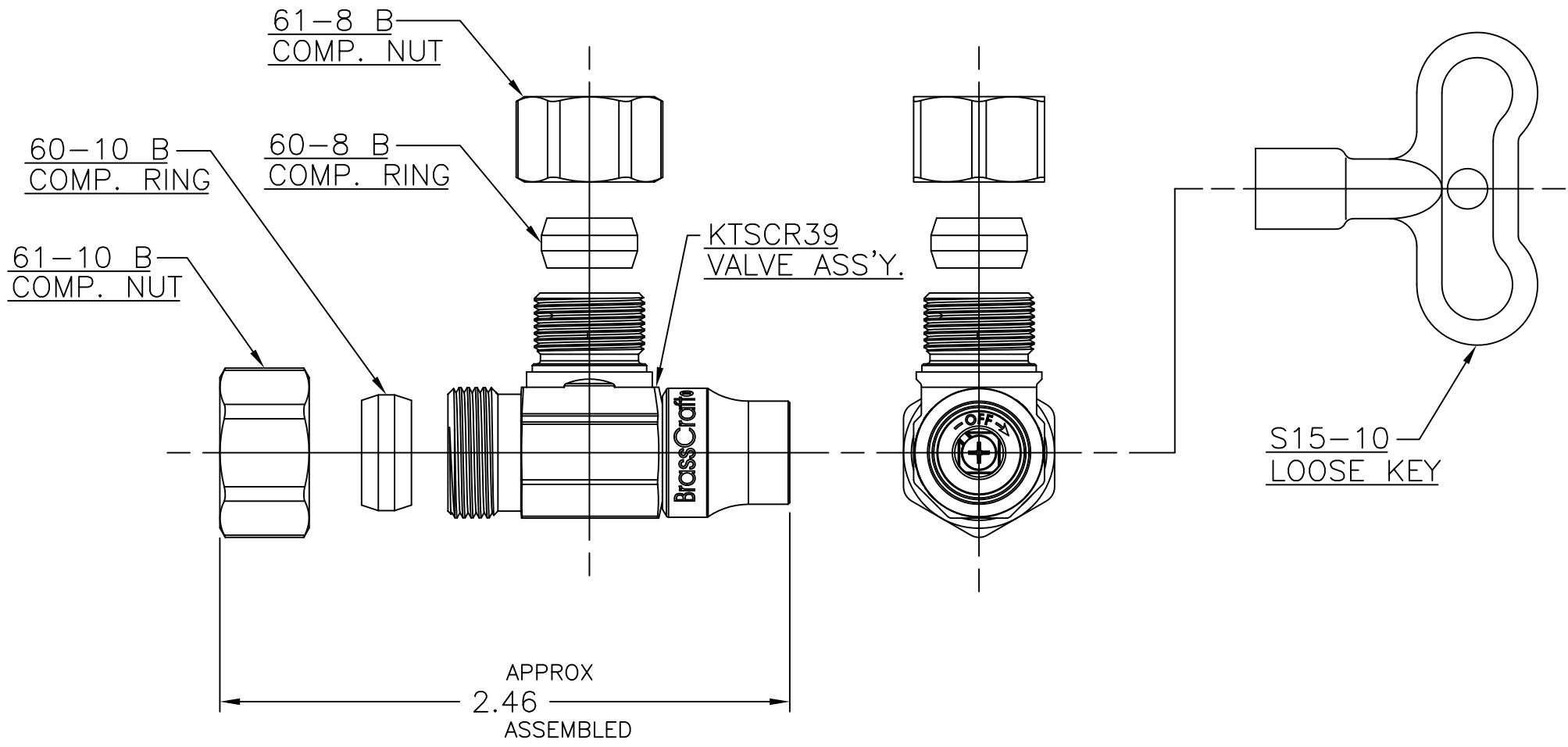


LET.	DATE	PER	BY	CHANGE
A	1/18/08	JPS	KAK	RELEASED



ALL GDT PER ANSI STD Y14.5M CLASSIFICATION OF QUALITY LEVELS	
CLASS	SYMBOL
KPC (KEY PRODUCT CHARACTERISTICS)	◇
STPC (STANDARD PRODUCT CHARACTERISTICS)	△
PRODUCT MARKINGS	○

DESCRIPTION 1/2 NOM COMP X 1/2 OD COMP 1/4 TURN BALL VALVE W/LOOSE KEY (SUBMITTAL)			DRAWING NO. VPA1112A	
DRAWN KLIMKIE	DATE: 01/18/2008	MATERIAL	ITEM DESCRIPTION KTSCR39	
CHK'D. Green	DATE: 01/18/2008		VOLUME	ITEM ID KTSCR39 C
APP'D.	DATE:	UNITS INCH		SCALE: (UNLESS NOTED) FULL
NOTE: UNLESS OTHERWISE SPECIFIED TWO PLACE DECIMALS +/- .010 THREE PLACE DECIMALS +/- .005 ANGULARITY +/- 1°			SIZE A	

This drawing and all data contained herein is the confidential and exclusive property of BrassCraft Manufacturing, and shall not be disclosed to others without the written consent of BrassCraft. This drawing must be returned to BrassCraft if requested.