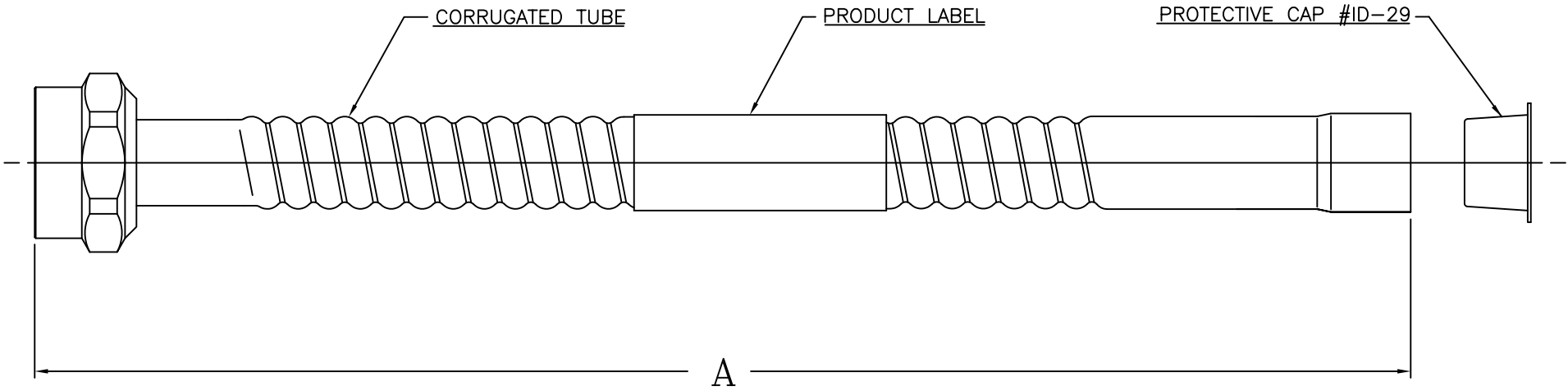

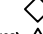
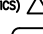



LET.	DATE	PER	BY	CHANGE
A	5/7/03	JPS	KAK	RELEASE



ITEM ID.	ITEM DESC.	A	
		MIN.	MAX.
WB134-18N	WB134-18	17.62	18.25
WB134-24N	WB134-24	23.62	24.25

This drawing and all data contained herein is the confidential and exclusive property of BrassCraft Manufacturing, and shall not be disclosed to others without the written consent of BrassCraft. This drawing must be returned to BrassCraft if requested.

 BrassCraft A Masco Company NOVI, MICHIGAN		DESCRIPTION 3/4 F.I.P. NUT X 3/4 NOM. M/F SWT. CORRUGATED COPPER CONN. (SUBMITTAL)		DRAWING NO. WCA0115A	
		DRAWN DATE: KLIMKIE 05/07/2003	MATERIAL	ITEM DESCRIPTION WB134-18 SEE CHART	
ALL GDT PER ANSI STD Y14.5M CLASSIFICATION OF QUALITY LEVELS		CHK'D. DATE: Schutte 05/07/2003	VOLUME	ITEM ID WB134-18N SEE CHART	
CLASS SYMBOL KPC (KEY PRODUCT CHARACTERISTICS) 		APP'D. DATE:	NOTE: UNLESS OTHERWISE SPECIFIED TWO PLACE DECIMALS +/- .010 THREE PLACE DECIMALS +/- .005 ANGULARITY +/- 1°		UNITS INCH
STPC (STANDARD PRODUCT CHARACTERISTICS) 		PRODUCT MARKINGS 		SCALE: (UNLESS NOTED) FULL	REV. A