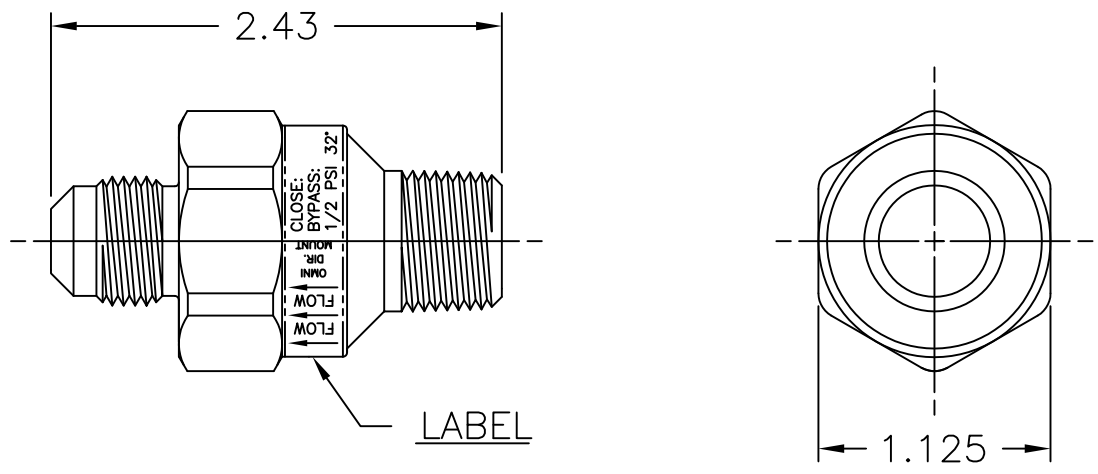


LET.	DATE	PER	BY	CHANGE
B	7/15/05	DLH	MJP	REVISED & UPDATED

ITEM I.D.	ITEM DESC.	DESCRIPTION
MEU1-10-12 P	MEU1-10-12	5/8 OD FLARE (15/16-16 THR'D) X 3/4 FIP
MEU2-10-12 P	MEU2-10-12	5/8 OD FLARE (15/16-16 THR'D) X 3/4 MIP (TAPPED 1/2" FIP)
MEU2-10-8 P	MEU2-10-8	5/8 OD FLARE (15/16-16 THR'D) X 1/2 MIP (TAPPED 3/8" FIP)
MEU4-10-12 P	MEU4-10-12	5/8 OD FLARE (15/16-16 THR'D) X 3/4 MIP (TAPPED 1/2" FEMALE FLARE)
MEU4-10-8 P	MEU4-10-8	5/8 OD FLARE (15/16-16 THR'D) X 1/2 MIP (TAPPED 3/8 FEMALE FLARE)
MEU5-10 P	MEU5-10	5/8 OD FLARE (15/16-16 THR'D) X 5/8 FEMALE FLARE



ALL GDT PER ANSI STD Y14.5M CLASSIFICATION OF QUALITY LEVELS	
CLASS	SYMBOL
KPC (KEY PRODUCT CHARACTERISTICS)	◇
STPC (STANDARD PRODUCT CHARACTERISTICS)	△
PRODUCT MARKINGS	○

DESCRIPTION SAFETY+PLUS GAS EXCESS FLOW VALVES (SUBMITTAL)		DRAWING NO. GPA0312B	
DRAWN PERNAK	DATE: 07/30/2003	MATERIAL	ITEM DESCRIPTION MEU1-10-12 SEE CHART
CHK'D. Klimkie	DATE: 07/18/2005	VOLUME	ITEM ID MEU1-10-12 P SEE CHART
APP'D.	DATE:	NOTE: UNLESS OTHERWISE SPECIFIED TWO PLACE DECIMALS +/- .010 THREE PLACE DECIMALS +/- .005 ANGULARITY +/- 1°	SCALE: (UNLESS NOTED) FULL
		UNITS INCH	REV. B

This drawing and all data contained herein is the confidential and exclusive property of BrassCraft Manufacturing, and shall not be disclosed to others without the written consent of BrassCraft. This drawing must be returned to BrassCraft if requested.