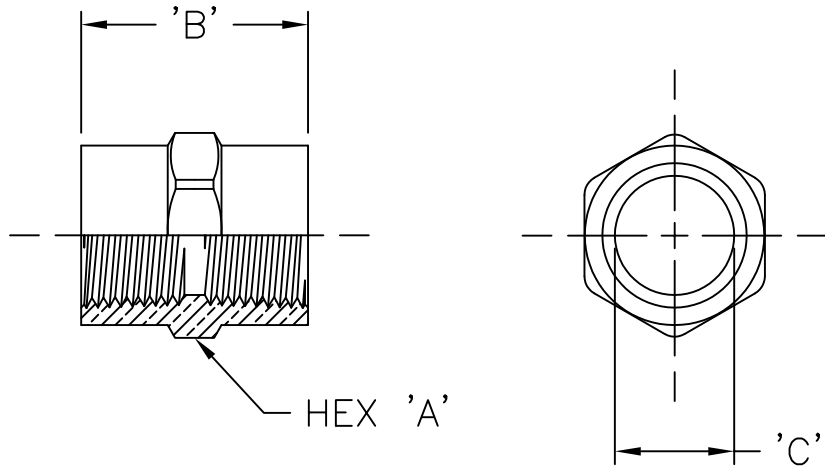







LET.	DATE	PER	BY	CHANGE
A	1/10/08	JPS	KAK	RELEASE



ITEM I.D.	PIPE THREAD	HEX 'A'	DIM 'B'	DIM 'C'
207-2 B	1/8	9/16	.75	.340
207-4 B	1/4	3/4	1.12	.438
207-6 B	3/8	7/8	1.12	.579
207-8 B	1/2	1-1/16	1.50	.704
207-12 B	3/4	1-1/4	1.53	.922

SAE J530 JUN92

 <p>BrassCraft® A Masco Company NOVI, MICHIGAN</p>	DESCRIPTION		DRAWING NO.		
	FEMALE PIPE COUPLING (SAE)		PFC0339A		
	DRAWN	DATE:	MATERIAL	ITEM DESCRIPTION	
	KLIMKIE	01/10/2008		207-2	
CHK'D.	DATE:	VOLUME	ITEM ID		
Schutte	01/14/2008			207-2 B	
APP'D.	DATE:	SEE CHART			
ALL GDT PER ANSI STD Y14.5M CLASSIFICATION OF QUALITY LEVELS		NOTE: UNLESS OTHERWISE SPECIFIED	UNITS	SCALE: (UNLESS NOTED)	REV.
CLASS SYMBOL KPC (KEY PRODUCT CHARACTERISTICS)  STPC (STANDARD PRODUCT CHARACTERISTICS)  PRODUCT MARKINGS 		TWO PLACE DECIMALS +/- .010 THREE PLACE DECIMALS +/- .005 ANGULARITY +/- 1°	 INCH	FULL	A

This drawing and all data contained herein is the confidential and exclusive property of BrassCraft Manufacturing, and shall not be disclosed to others without the written consent of BrassCraft. This drawing must be returned to BrassCraft if requested.