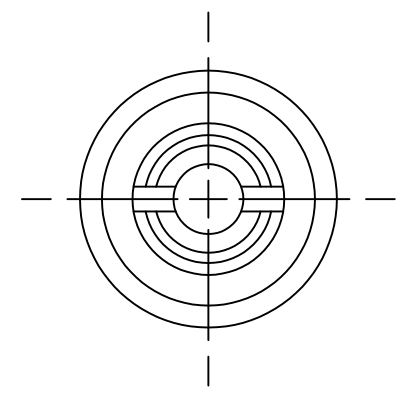
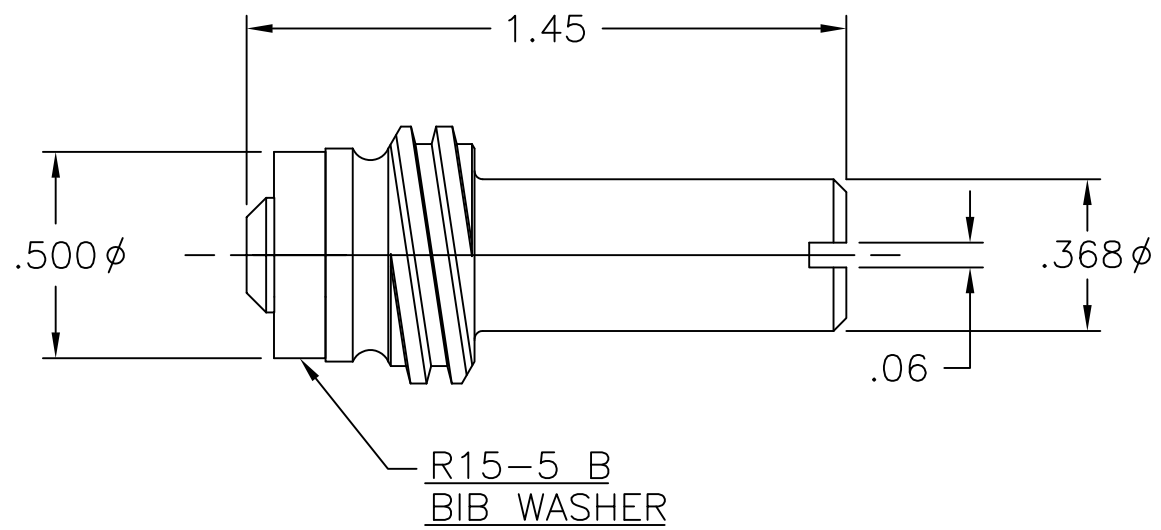


LET.	DATE	PER	BY	CHANGE
A	8/10/04	WFT	KAK	RELEASE



NOVI, MICHIGAN	
ALL GDT PER ANSI STD Y14.5M CLASSIFICATION OF QUALITY LEVELS	
CLASS	SYMBOL
KPC (KEY PRODUCT CHARACTERISTICS)	◇
STPC (STANDARD PRODUCT CHARACTERISTICS)	△
PRODUCT MARKINGS	○

DESCRIPTION
SCREWDRIVER SLOT
STEM DIVERTER (SUBMITTAL)

DRAWING NO.
VPS0774A

DRAWN
KLIMKIE

DATE:
08/10/04

ITEM DESCRIPTION
SS15S-2+5

CHK'D.
Schutte

DATE:
08/10/2004

ITEM ID
SS15S-2+5 R

APP'D.

DATE:

NOTE: UNLESS OTHERWISE SPECIFIED
TWO PLACE DECIMALS +/- .010
THREE PLACE DECIMALS +/- .005
ANGULARITY +/- 1°

A
SIZE

UNITS
INCH

SCALE:
(UNLESS NOTED)
2:1

REV.
A

This drawing and all data contained herein is the confidential and exclusive property of BrassCraft Manufacturing, and shall not be disclosed to others without the written consent of BrassCraft. This drawing must be returned to BrassCraft if requested.