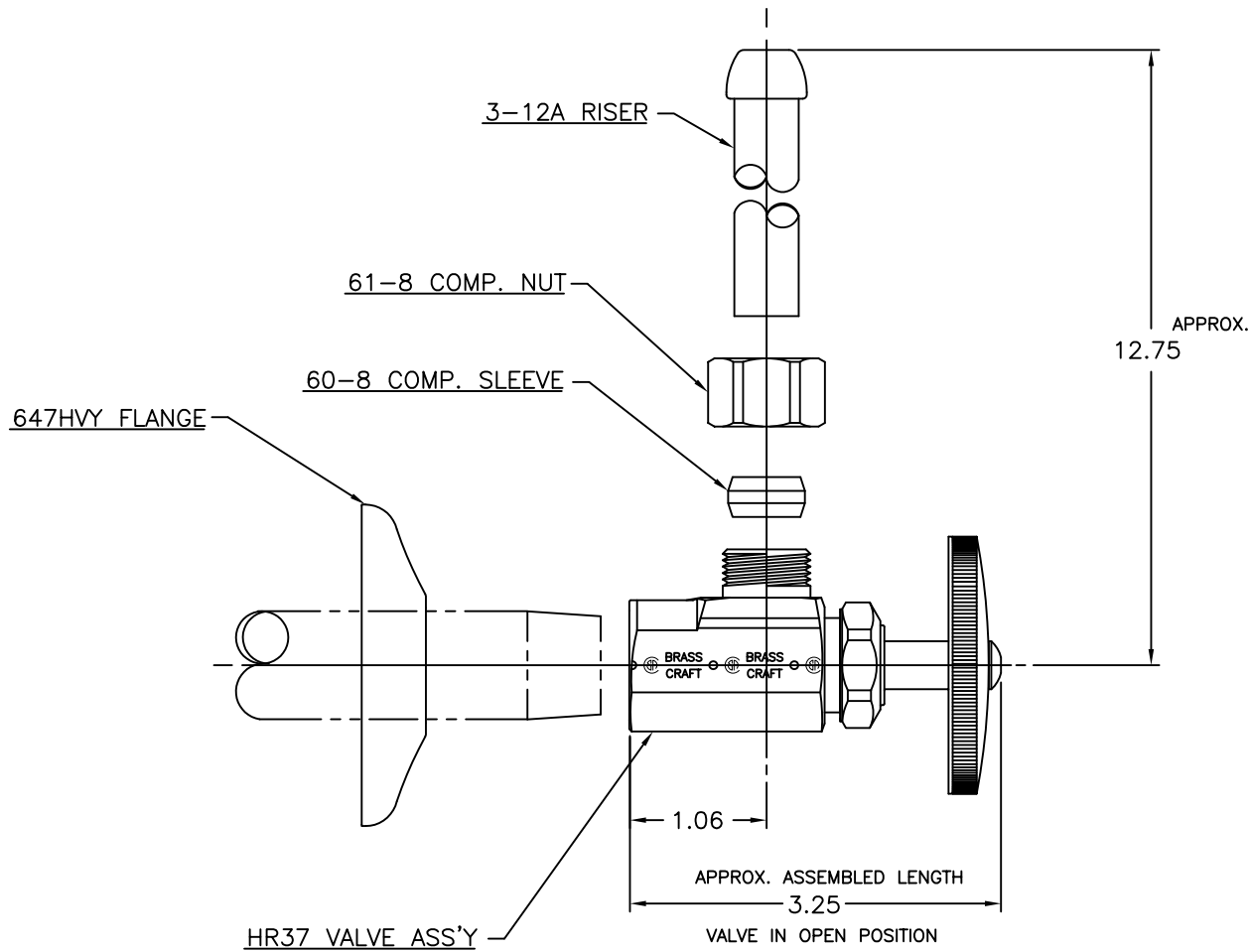


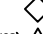
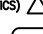
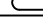


LET.	DATE	PER	BY	CHANGE
C	3/12/03	WFT	MJP	REVISED & UPDATED



 BrassCraft A Masco Company NOVI, MICHIGAN		DESCRIPTION		DRAWING NO.	
		1/2 FIP X 1/2 OD COMP HVY PTRN VALVE W/RISER (SUBMITTAL)		VPA0577C	
DRAWN	DATE:	MATERIAL	ITEM DESCRIPTION		
PERNAK	3/12/2003		HR3712AZ		
CHK'D.	DATE:	VOLUME	ITEM ID		
Klimkie	04/11/2003		HR3712AZ C		
APP'D.	DATE:	UNITS		SCALE:	REV.
		INCH		(UNLESS NOTED) FULL	C
ALL GDT PER ANSI STD Y14.5M CLASSIFICATION OF QUALITY LEVELS		NOTE: UNLESS OTHERWISE SPECIFIED TWO PLACE DECIMALS +/- .010 THREE PLACE DECIMALS +/- .005 ANGULARITY +/- 1°		 SIZE	
KPC (KEY PRODUCT CHARACTERISTICS) 					
STPC (STANDARD PRODUCT CHARACTERISTICS) 					
PRODUCT MARKINGS 					

This drawing and all data contained herein is the confidential and exclusive property of BrassCraft Manufacturing, and shall not be disclosed to others without the written consent of BrassCraft. This drawing must be returned to BrassCraft if requested.