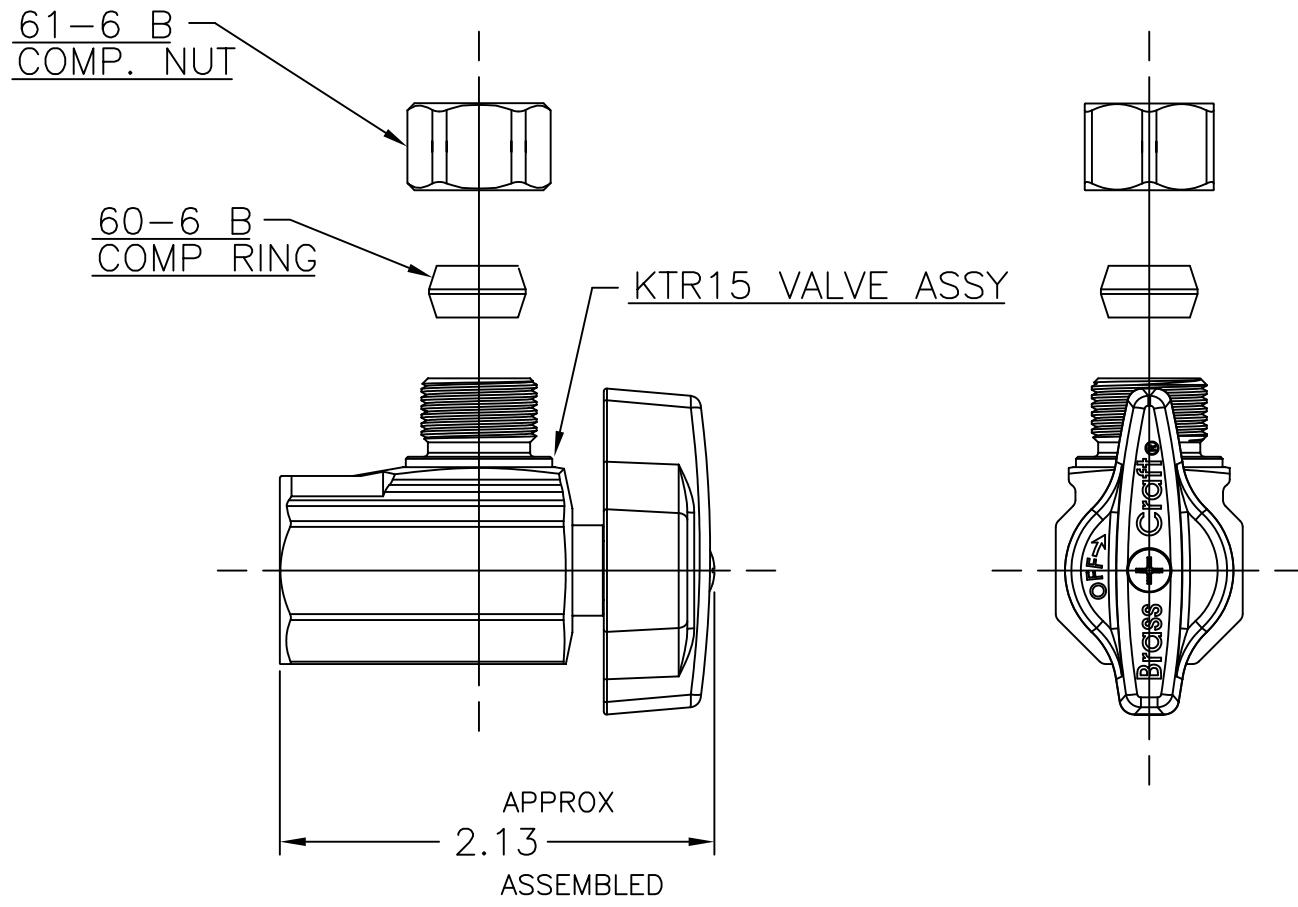


LET.	DATE	PER	BY	CHANGE
B	8/29/03	WFT	KAK	REVISED & UPDATED



DESCRIPTION 3/8 FIP X 3/8 OD COMP 1/4 TURN BALL VALVE (SUBMITTAL)		DRAWING NO. VPA0847B	
DRAWN KLIMKIE	DATE: 04/01/2002	MATERIAL	ITEM DESCRIPTION KTR15
CHK'D. Green	DATE: 09/11/2003	VOLUME	ITEM ID KTR15 C
APP'D.	DATE:	NOTE: UNLESS OTHERWISE SPECIFIED TWO PLACE DECIMALS +/- .010 THREE PLACE DECIMALS +/- .005 ANGULARITY +/- 0° 30'	SCALE: (UNLESS NOTED) FULL
CLASS SYMBOL KPC (KEY PRODUCT CHARACTERISTICS) STPC (STANDARD PRODUCT CHARACTERISTICS) PRODUCT MARKINGS		UNITS INCH	REV. B

This drawing and all data contained herein is the confidential and exclusive property of BrassCraft Manufacturing, and shall not be disclosed to others without the written consent of BrassCraft. This drawing must be returned to BrassCraft if requested.