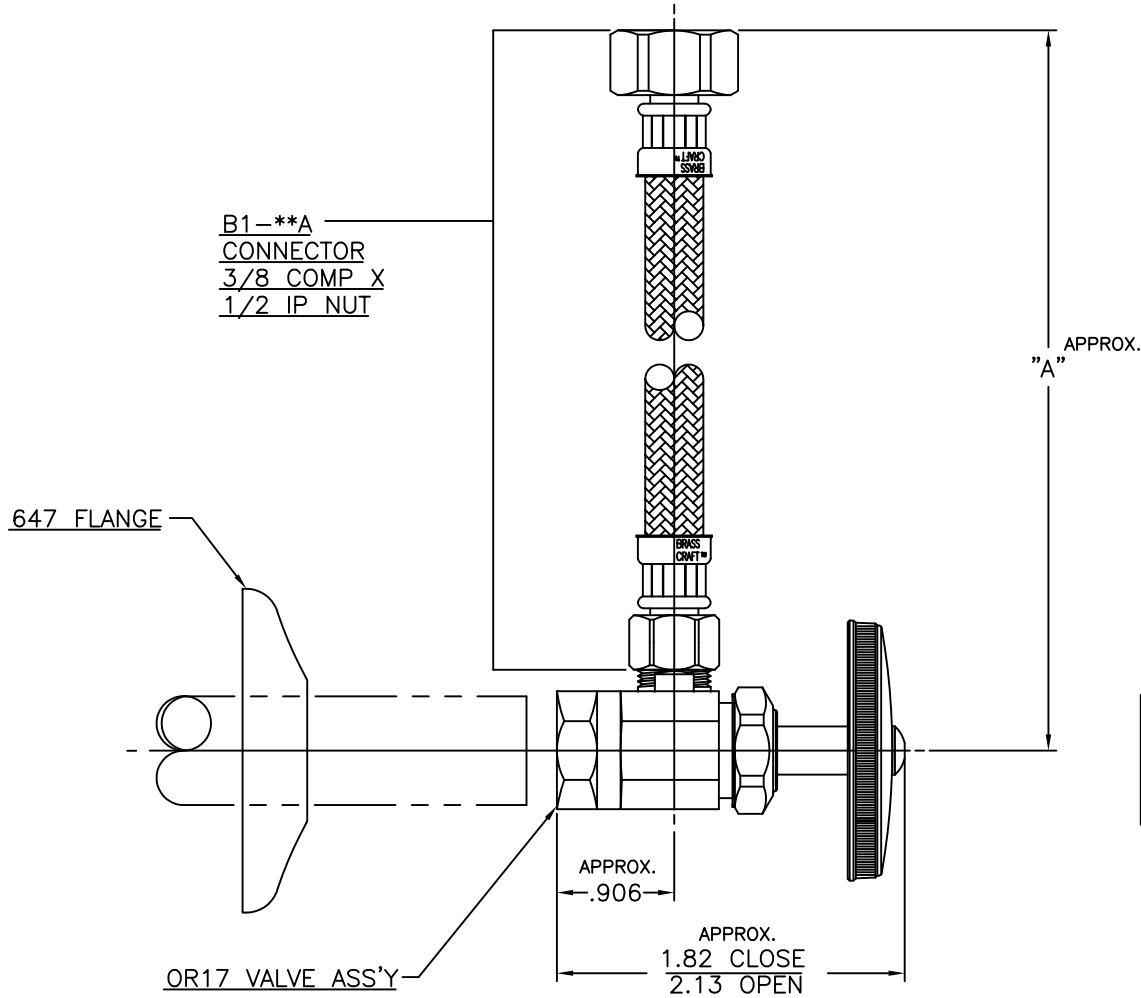


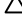




LET.	DATE	PER	BY	CHANGE
C	5/23/03	WFT	MJP	REVISED & UPDATED



ITEM I.D.	ITEM DESC.	LENGTH "A"
OR17B12A C	OR17B12A	12.50/13.50
OR17B16A C	OR17B16A	16.50/17.50
OR17B20A C	OR17B20A	20.50/21.50

 BrassCraft A Masco Company NOVI, MICHIGAN		DESCRIPTION 1/2 FIP X 3/8 OD COMP VALVE W/POLYMER FAUCET RISER (SUBMITTAL)		DRAWING NO. VPA0700C	
		DRAWN PERNAK CHK'D. Klimkie	DATE: 11/21/2002 DATE: 05/23/2003	MATERIAL VOLUME	ITEM DESCRIPTION OR17B12A SEE CHART
ALL GDT PER ANSI STD Y14.5M CLASSIFICATION OF QUALITY LEVELS		CLASS KPC (KEY PRODUCT CHARACTERISTICS) 		ITEM ID OR17B12A C SEE CHART	
STPC (STANDARD PRODUCT CHARACTERISTICS) 		APP'D. DATE:		NOTE: UNLESS OTHERWISE SPECIFIED TWO PLACE DECIMALS +/- .010 THREE PLACE DECIMALS +/- .005 ANGULARITY +/- 1°	
PRODUCT MARKINGS 		UNITS INCH		SCALE: (UNLESS NOTED) FULL	
		SIZE 		REV. C	

This drawing and all data contained herein is the confidential and exclusive property of BrassCraft Manufacturing, and shall not be disclosed to others without the written consent of BrassCraft. This drawing must be returned to BrassCraft if requested.