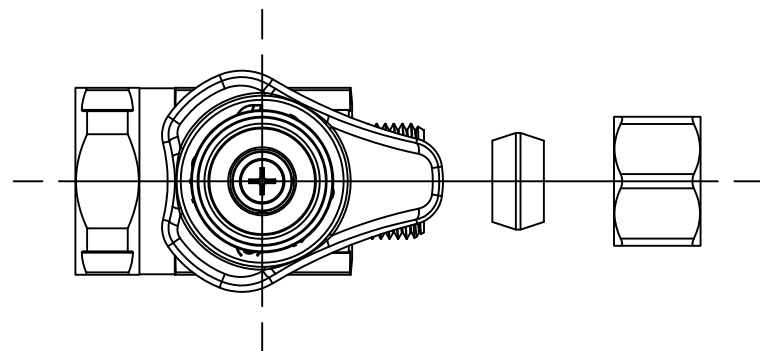


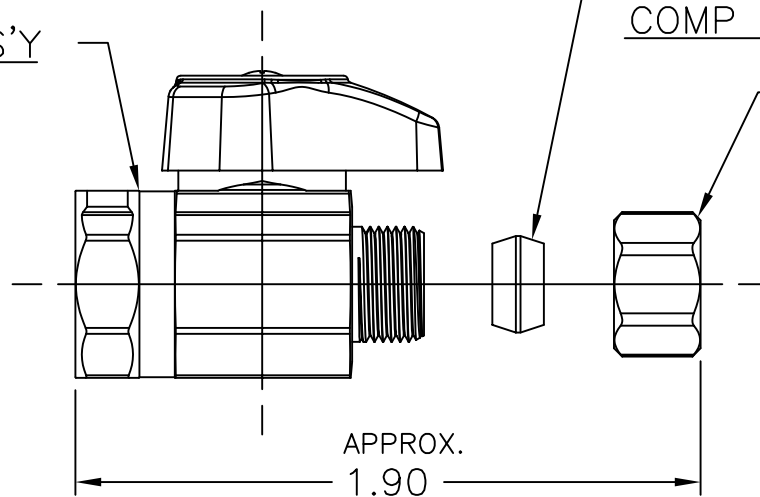
LET.	DATE	PER	BY	CHANGE
A	9/19/05	JPS	JPS	RELEASE



G2R12 VALVE ASS'Y

60-6 B
COMP RING

61-6 B
COMP NUT



APPROX.
1.90
ASSEMBLED

ITEM I.D.	
ROUGH	CHROME
G2R12 R	G2R12 C



NOVI, MICHIGAN

ALL GDT PER ANSI STD Y14.5M
CLASSIFICATION OF QUALITY LEVELS

CLASS	SYMBOL
KPC (KEY PRODUCT CHARACTERISTICS)	◇
STPC (STANDARD PRODUCT CHARACTERISTICS)	△
PRODUCT MARKINGS	○

DESCRIPTION 1/2 FIP X 3/8 OD COMP QUARTER TURN STRAIGHT STOP (SUBMITTAL)	DRAWING NO. VPA1031A
--	-------------------------

DRAWN SCHUTTE	DATE: 09/19/2005	MATERIAL	ITEM DESCRIPTION G2R12
------------------	---------------------	----------	---------------------------

CHK'D. Pernak	DATE: 09/21/2005	VOLUME	ITEM ID G2R12 R SEE CHART
------------------	---------------------	--------	---------------------------------

NOTE: UNLESS OTHERWISE SPECIFIED TWO PLACE DECIMALS THREE PLACE DECIMALS ANGULARITY	+/- .010 +/- .005 +/- 0° 30'	A SIZE	UNITS INCH	SCALE: (UNLESS NOTED) 2:1	REV. A
--	------------------------------------	-----------	---------------	---------------------------------	-----------

This drawing and all data contained herein is the confidential and exclusive property of BrassCraft Manufacturing, and shall not be disclosed to others without the written consent of BrassCraft. This drawing must be returned to BrassCraft if requested.