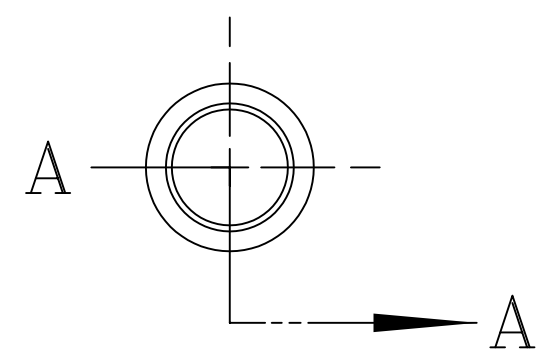
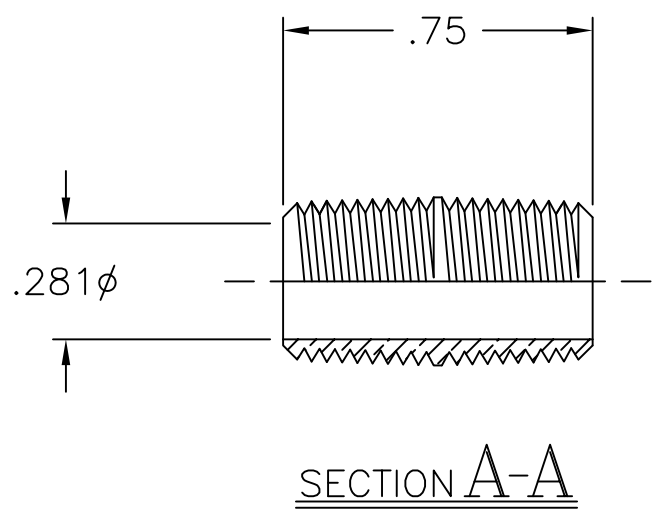


LET.	DATE	PER	BY	CHANGE
A	8/12/04	KAK	MJP	RELEASE



NOVI, MICHIGAN	
ALL GDT PER ANSI STD Y14.5M CLASSIFICATION OF QUALITY LEVELS	
CLASS	SYMBOL
KPC (KEY PRODUCT CHARACTERISTICS)	◇
STPC (STANDARD PRODUCT CHARACTERISTICS)	△
PRODUCT MARKINGS	○

DESCRIPTION  
1/8 MIP CLOSE PIPE NIPPLE  
(SUBMITTAL)

DRAWN	DATE:	MATERIAL
PERNAK	08/12/2004	
CHK'D.	DATE:	VOLUME
Klimkie	08/12/2004	
APP'D.	DATE:	

DRAWING NO.  
PFU0308A

ITEM DESCRIPTION  
112-02

ITEM ID  
112-02-R

This drawing and all data contained herein is the confidential and exclusive property of BrassCraft Manufacturing, and shall not be disclosed to others without the written consent of BrassCraft. This drawing must be returned to BrassCraft if requested.

NOTE: UNLESS OTHERWISE SPECIFIED  
TWO PLACE DECIMALS    +/- .010  
THREE PLACE DECIMALS    +/- .005  
ANGULARITY    +/- 1°

<b>A</b> SIZE	UNITS	SCALE: (UNLESS NOTED)	REV.
	INCH	2:1	A