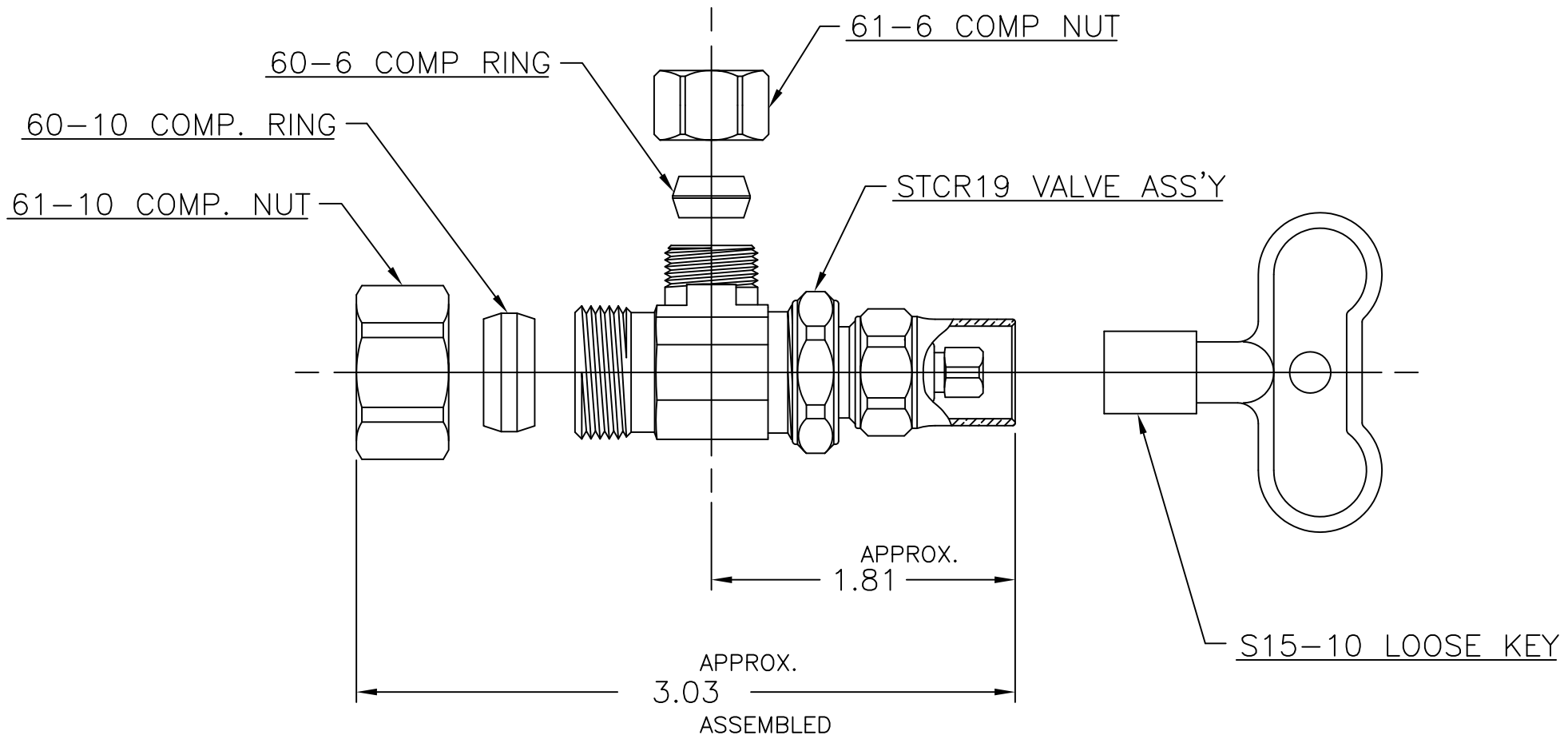


LET.	DATE	PER	BY	CHANGE
B	5/9/03	WFT	MJP	REVISED & UPDATED



DESCRIPTION		DRAWING NO.	
1/2 NOM COMP X 3/8 OD COMP VALVE W/LOOSE KEY (SUBMITTAL)		VPA0808B	
DRAWN	DATE:	MATERIAL	ITEM DESCRIPTION
KLIMKIE	04/24/2001		
CHK'D.	DATE:	VOLUME	ITEM ID
KAK	05/12/2003		
APP'D.	DATE:	NOTE: UNLESS OTHERWISE SPECIFIED	
		TWO PLACE DECIMALS +/- .010	
		THREE PLACE DECIMALS +/- .005	
		ANGULARITY +/- 0° 30'	
CLASS		SYMBOL	
KPC (KEY PRODUCT CHARACTERISTICS)		◇	
STPC (STANDARD PRODUCT CHARACTERISTICS)		△	
PRODUCT MARKINGS		○	
UNITS		SCALE: (UNLESS NOTED)	
INCH		FULL	
SIZE		REV.	
A		B	

This drawing and all data contained herein is the confidential and exclusive property of BrassCraft Manufacturing, and shall not be disclosed to others without the written consent of BrassCraft. This drawing must be returned to BrassCraft if requested.