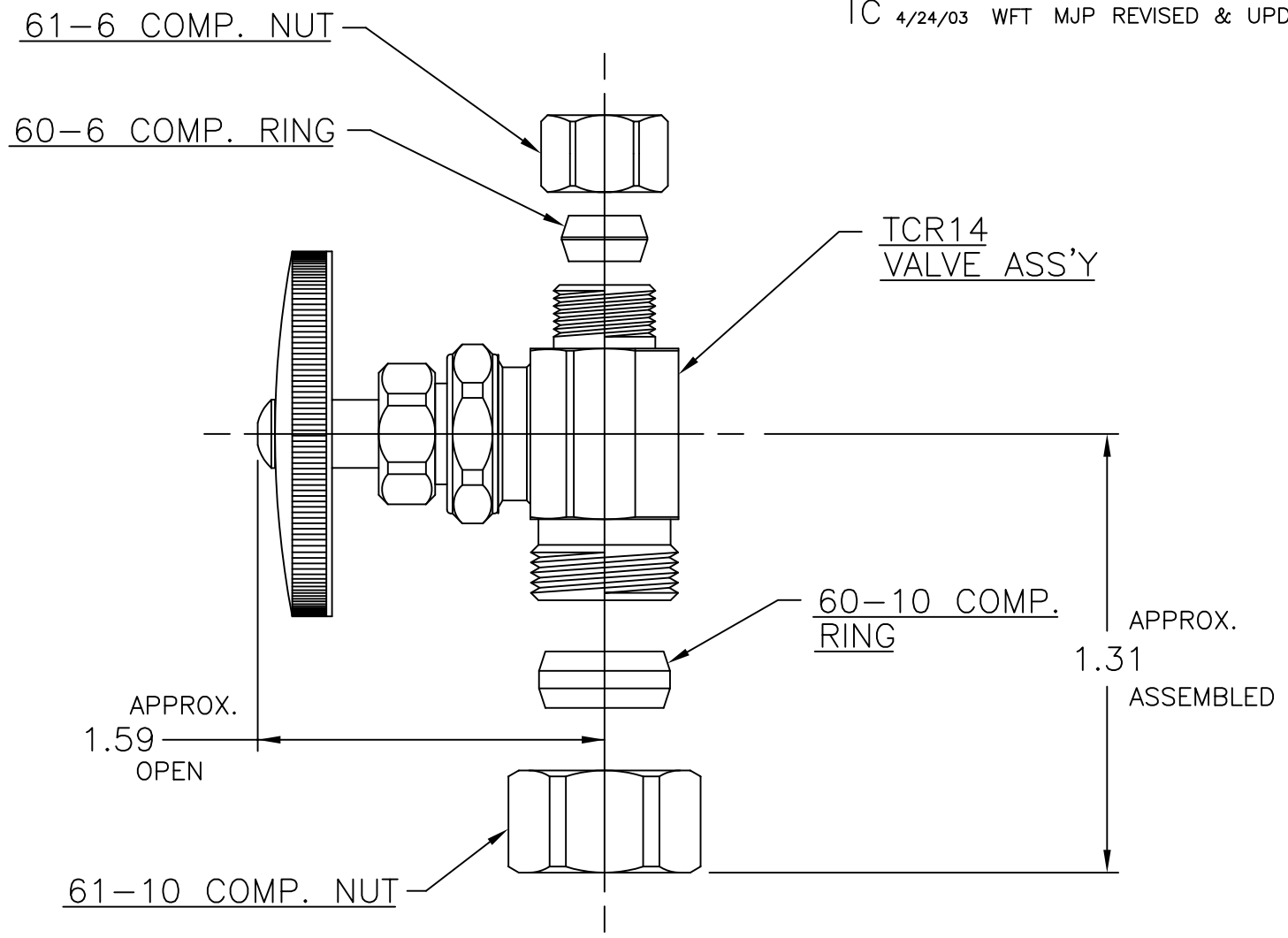


LET.	DATE	PER	BY	CHANGE
C	4/24/03	WFT	MJP	REVISED & UPDATED



NOVI, MICHIGAN	
ALL GDT PER ANSI STD Y14.5M CLASSIFICATION OF QUALITY LEVELS	
CLASS	SYMBOL
KPC (KEY PRODUCT CHARACTERISTICS)	◇
STPC (STANDARD PRODUCT CHARACTERISTICS)	△
PRODUCT MARKINGS	○

DESCRIPTION		DRAWING NO.	
1/2 NOM COMP X 3/8 OD COMP STRT VALVE W/STUFFING BOX (SUBMITTAL)		VPA0722C	
DRAWN	DATE:	MATERIAL	ITEM DESCRIPTION
PERNAK	1/8/2003		
CHK'D.	DATE:	VOLUME	ITEM ID
Klimkie	04/25/2003		
APP'D.	DATE:	NOTE: UNLESS OTHERWISE SPECIFIED	
		TWO PLACE DECIMALS	+/- .010
		THREE PLACE DECIMALS	+/- .005
		ANGULARITY	+/- 1°

This drawing and all data contained herein is the confidential and exclusive property of BrassCraft Manufacturing, and shall not be disclosed to others without the written consent of BrassCraft. This drawing must be returned to BrassCraft if requested.

A SIZE	UNITS	SCALE: (UNLESS NOTED)	REV.
	INCH	FULL	C