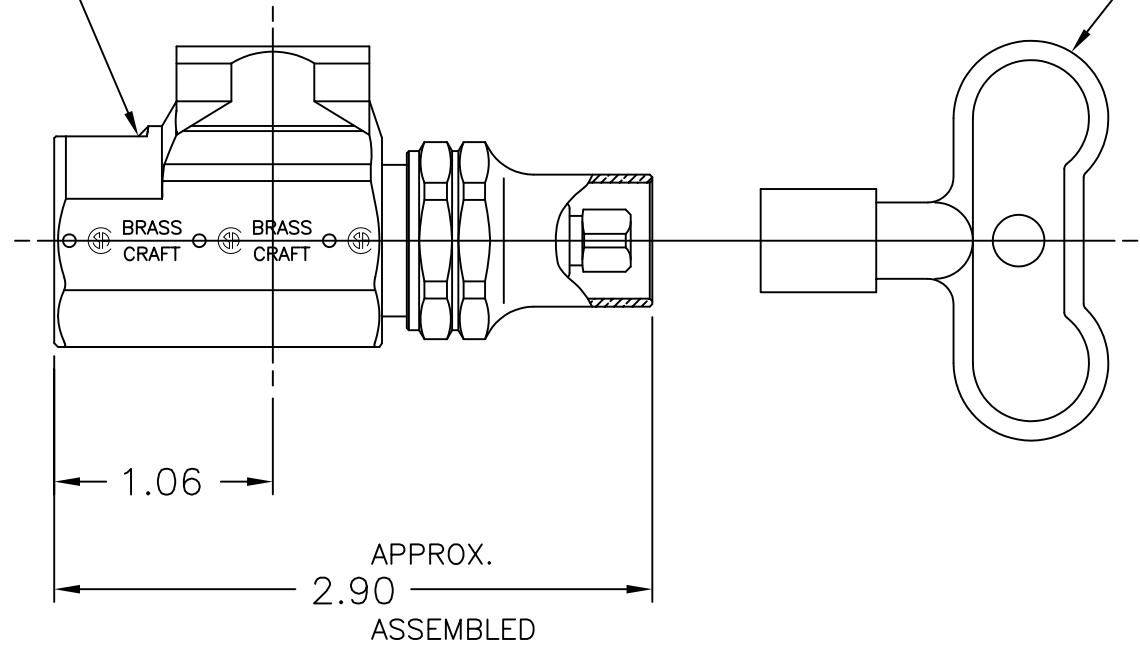


LET.	DATE	PER	BY	CHANGE
C	3/14/03	WFT	MJP	REVISED & UPDATED

HSR95 VALVE ASS'Y

S15-10  
LOOSE KEY



NOVI, MICHIGAN	
ALL GDT PER ANSI STD Y14.5M CLASSIFICATION OF QUALITY LEVELS	
CLASS	SYMBOL
KPC (KEY PRODUCT CHARACTERISTICS)	◇
STPC (STANDARD PRODUCT CHARACTERISTICS)	△
PRODUCT MARKINGS	○

DESCRIPTION 3/8 FIP X 3/8 FIP HVY PTRN VALVE W/LOOSE KEY (SUBMITTAL)		DRAWING NO. VPA0527C	
DRAWN PERNAK	DATE: 3/14/2003	MATERIAL	ITEM DESCRIPTION HSR95
CHK'D. Klimkie	DATE: 05/02/2003		
APP'D.	DATE:	VOLUME	ITEM ID HSR95 C
NOTE: UNLESS OTHERWISE SPECIFIED TWO PLACE DECIMALS THREE PLACE DECIMALS ANGULARITY		UNITS INCH	SCALE: (UNLESS NOTED) FULL
+/- .010 +/- .005 +/- 1°		SIZE A	REV. C

This drawing and all data contained herein is the confidential and exclusive property of BrassCraft Manufacturing, and shall not be disclosed to others without the written consent of BrassCraft. This drawing must be returned to BrassCraft if requested.