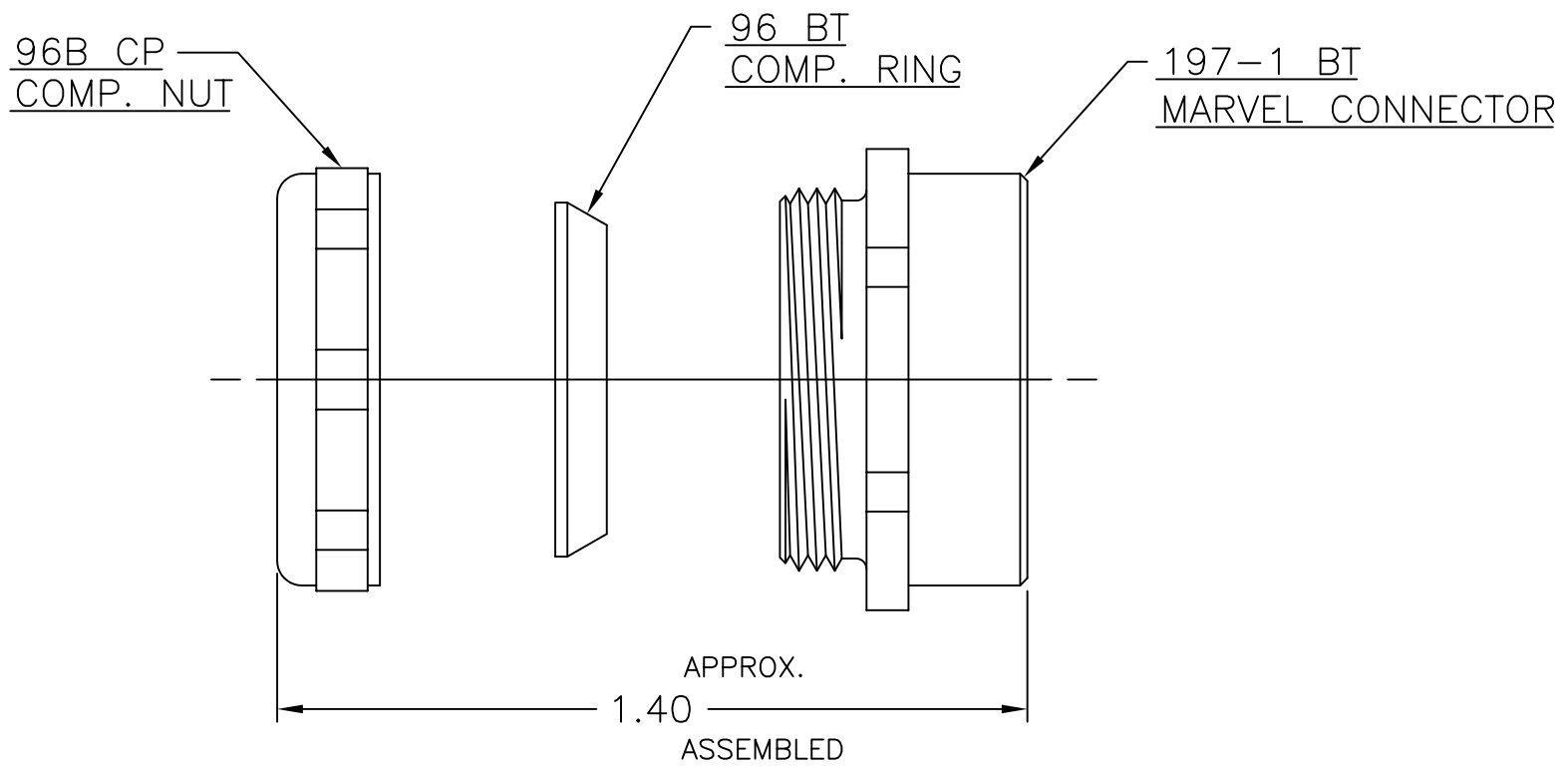


LET.	DATE	PER	BY	CHANGE
B	7/11/05	MJP	KAK	REVISED & UPDATED



NOVI, MICHIGAN

ALL GDT PER ANSI STD Y14.5M
CLASSIFICATION OF QUALITY LEVELS

CLASS	SYMBOL
KPC (KEY PRODUCT CHARACTERISTICS)	◇
STPC (STANDARD PRODUCT CHARACTERISTICS)	△
PRODUCT MARKINGS	○

DESCRIPTION
1 1/2 OD X 1 1/2 FIP
MARVEL CONNECTOR (SUBMITTAL)

DRAWN PERNAK	DATE: 04/23/2003	MATERIAL
CHK'D. Pernak	DATE: 07/12/2005	VOLUME
APP'D.	DATE:	

DRAWING NO.
TUA0114B

ITEM DESCRIPTION
197B

ITEM ID
197B

This drawing and all data contained herein is the confidential and exclusive property of BrassCraft Manufacturing, and shall not be disclosed to others without the written consent of BrassCraft. This drawing must be returned to BrassCraft if requested.

NOTE: UNLESS OTHERWISE SPECIFIED
TWO PLACE DECIMALS +/- .010
THREE PLACE DECIMALS +/- .005
ANGULARITY +/- 1°



UNITS
INCH

SCALE:
(UNLESS NOTED)
FULL

REV.
B