

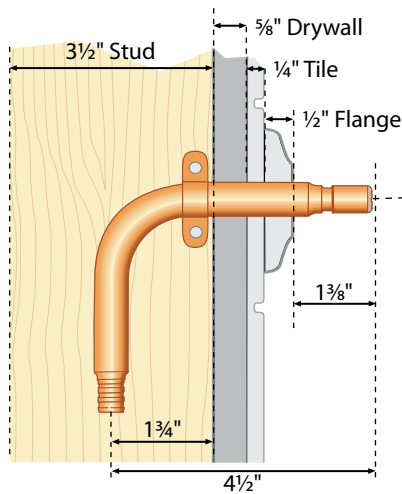
No matter how complicated the install, our SureConnect™ stub-out simplifies the job.

Available in various lengths, materials, and configurations, the BrassCraft SureConnect™ stub-out adds speed and flexibility to even the most complicated installations. Choose it when:

- you're using 2 x 4 or 2 x 6
- hooking up faucets, toilets or dishwashers
- working with one sheet of drywall or two
- cutting through the sub-floor or cabinet base

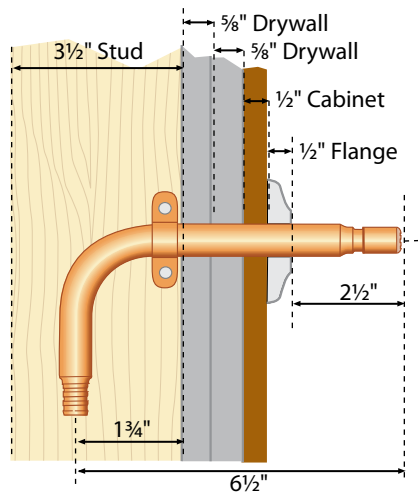
SureConnect Wall Installations

Through Tile



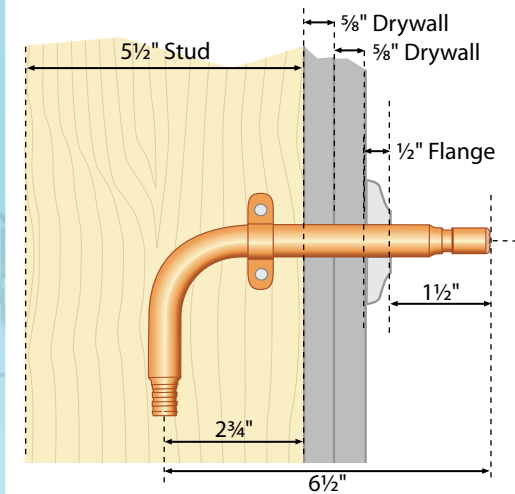
4-1/2" SureConnect elbow stub-out on 2 x 4 with one sheet of drywall, 1/4" tile and 1/2" flange.

Through Cabinet



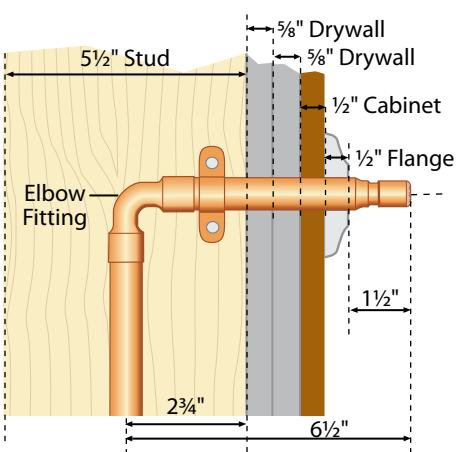
6-1/2" SureConnect elbow stub-out on 2 x 4 with two sheets of drywall, 1/2" cabinet back and 1/2" flange.

For 2 x 6



6-1/2" SureConnect elbow stub-out on 2 x 6 with two sheets of drywall and 1/2" flange.

Straight Stub-Out



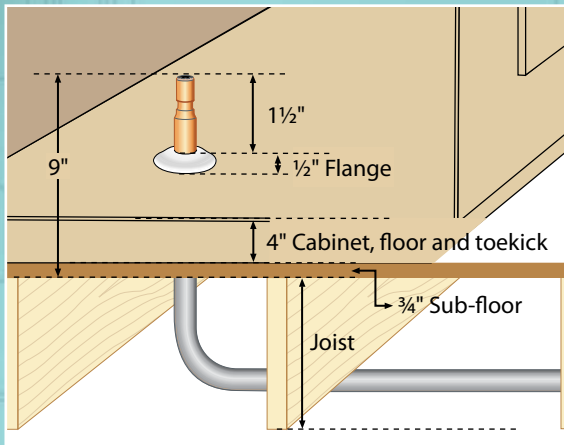
6-1/2" SureConnect straight stub-out on 2 x 6 using elbow fitting for connection.

SureConnect™
Easy. Quick. Secure.

BrassCraft®

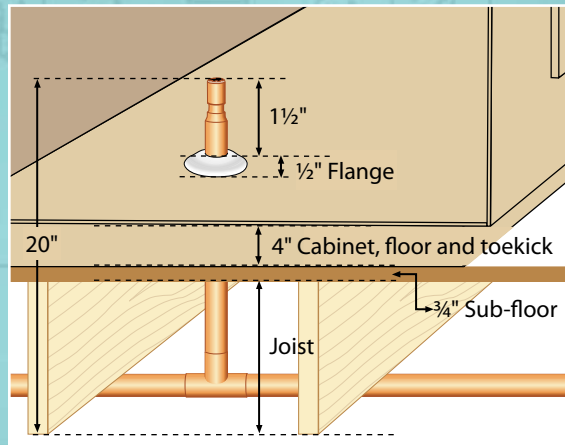
SureConnect™ Floor Installations

Floor Installation with PEX



9" SureConnect straight stub-out through joist or truss, 3/4" sub-floor, 4" cabinet floor/toekick and 1/2" flange.

Floor Installation with Copper

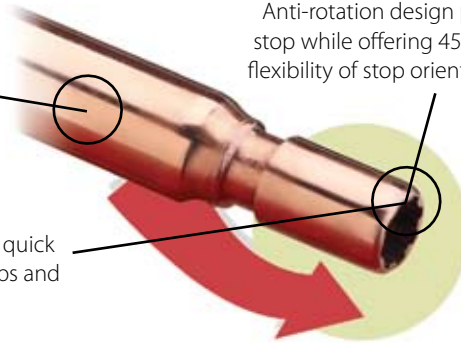


20" SureConnect straight stub-out through joist or truss, 3/4" sub-floor, 4" cabinet floor/toekick and 1/2" flange.

Our SureConnect stub-out, with its proprietary end form, is the key to a secure and leak-free quick-connect system.

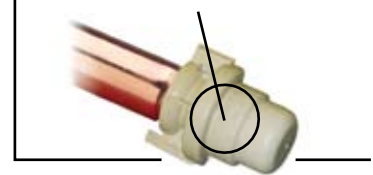
Our pre-formed stub-out mates with PEX, CPVC, and copper rough-in materials, in elbow, straight or short configurations.

Proprietary end form allows for quick connection to SureConnect stops and one-piece supplies.



Anti-rotation design prevents rotation of stop while offering 45-degree indexing for flexibility of stop orientation before locking.

Optional pre-attached plastic test cap offers even faster installation!



**For a complete SKU list call 248-305-6000
or see us at www.brasscraft.com for installation alternatives.**



Brass Craft
A Masco Company



215 North Smith Avenue
Corona, California 92880-1791
(951) 278-5140
Fax: (951) 278-5193

World Headquarters
39600 Orchard Hill Place
Novi, Michigan 48375-5331
(248) 305-6000
Fax: (248) 305-6011

www.brasscraft.com