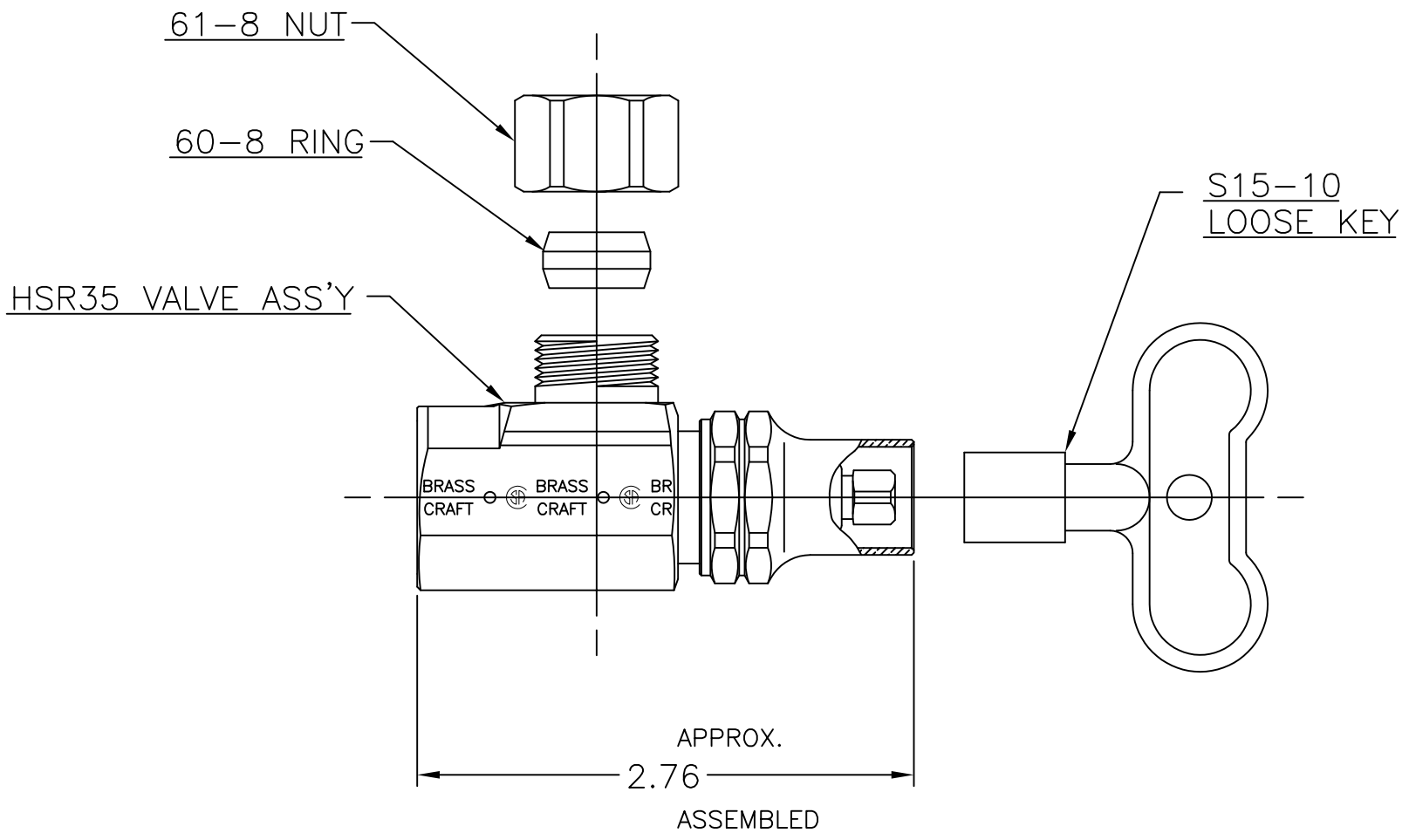



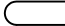



LET.	DATE	PER	BY	CHANGE
C	3/13/03	WFT	MJP	REVISED & UPDATED



 BrassCraft [®] A Masco Company NOVI, MICHIGAN ALL GDT PER ANSI STD Y14.5M CLASSIFICATION OF QUALITY LEVELS CLASS SYMBOL KPC (KEY PRODUCT CHARACTERISTICS)  STPC (STANDARD PRODUCT CHARACTERISTICS)  PRODUCT MARKINGS 	DESCRIPTION 3/8 FIP X 1/2 OD COMP HVY PTRN VALVE W/LOOSE KEY (SUBMITTAL)		DRAWING NO. VPA0647C			
	DRAWN PERNAK	DATE: 3/13/2003	MATERIAL	ITEM DESCRIPTION HSR35		
	CHK'D. Klimkie	DATE: 04/29/2003		VOLUME	ITEM ID HSR35 C	
	APP'D.	DATE:	NOTE: UNLESS OTHERWISE SPECIFIED TWO PLACE DECIMALS +/- .010 THREE PLACE DECIMALS +/- .005 ANGULARITY +/- 1°		 SIZE	UNITS INCH

This drawing and all data contained herein is the confidential and exclusive property of BrassCraft Manufacturing, and shall not be disclosed to others without the written consent of BrassCraft. This drawing must be returned to BrassCraft if requested.