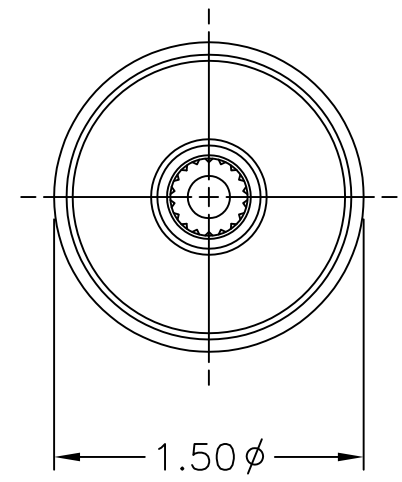
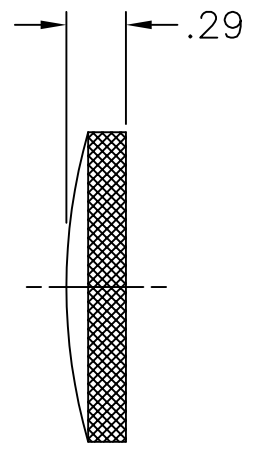


LET.	DATE	PER	BY	CHANGE
A	6/17/04	KAK	MJP	RELEASE

ITEM I.D.	
ROUGH	CHROME
XXR15-10R R	XXR15-10R C



DESCRIPTION		DRAWING NO.	
ROUND HANDLE (SUBMITTAL)		VPH0773A	
DRAWN	DATE:	MATERIAL	ITEM DESCRIPTION
PERNAK	6/17/2004		
CHK'D.	DATE:	VOLUME	ITEM ID
Klimkie	06/17/2004		
APP'D.	DATE:	SEE CHART	

This drawing and all data contained herein is the confidential and exclusive property of BrassCraft Manufacturing, and shall not be disclosed to others without the written consent of BrassCraft. This drawing must be returned to BrassCraft if requested.

ALL GDT PER ANSI STD Y14.5M CLASSIFICATION OF QUALITY LEVELS	
CLASS	SYMBOL
KPC (KEY PRODUCT CHARACTERISTICS)	◇
STPC (STANDARD PRODUCT CHARACTERISTICS)	△
PRODUCT MARKINGS	○

NOTE: UNLESS OTHERWISE SPECIFIED	UNITS	SCALE:	REV.
TWO PLACE DECIMALS +/- .010	INCH	(UNLESS NOTED)	A
THREE PLACE DECIMALS +/- .005		FULL	
ANGULARITY +/- 1°			