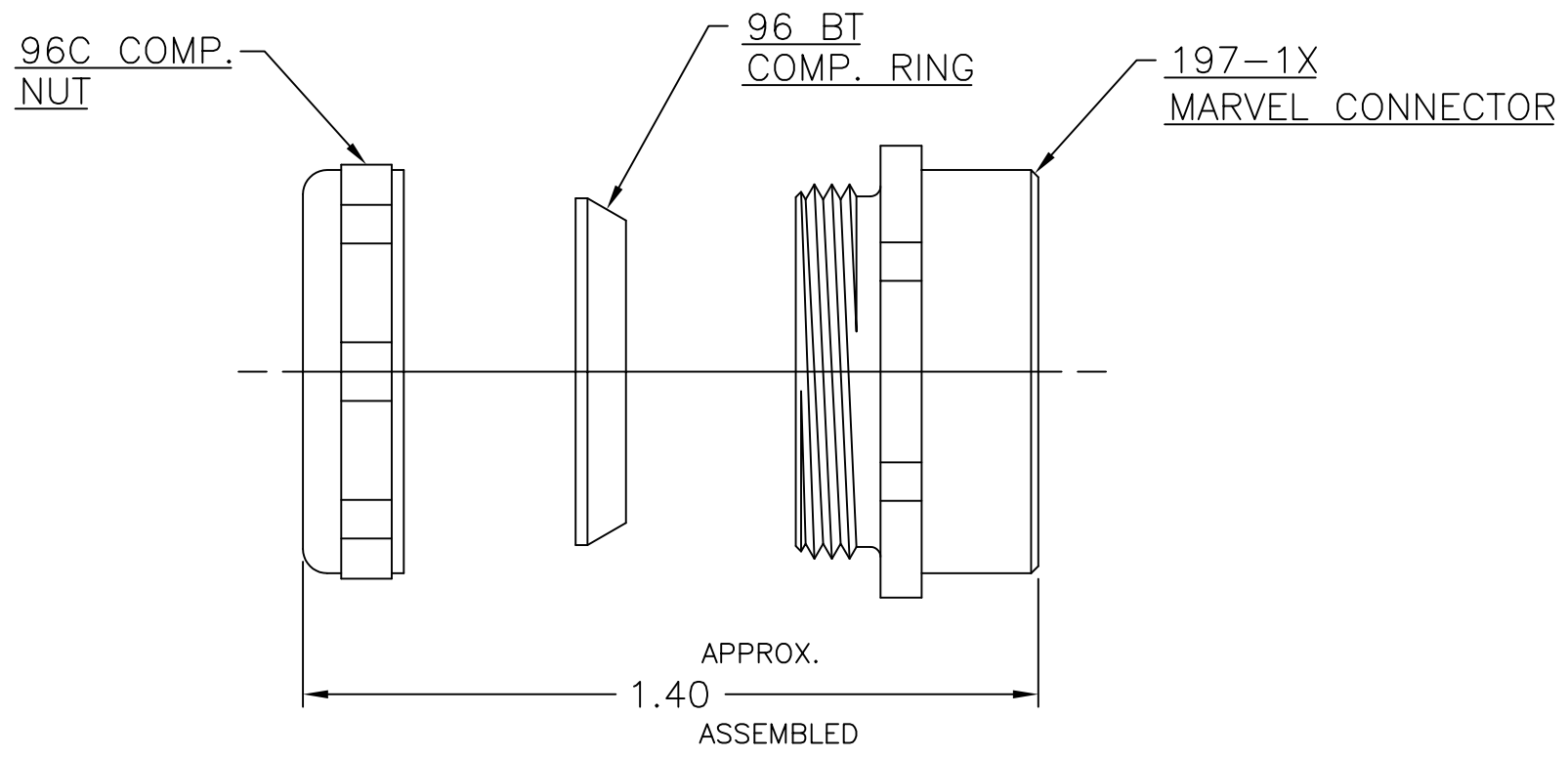



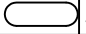



LET.	DATE	PER	BY	CHANGE
A	7/11/05	MJP	KAK	RELEASE



 <p>BrassCraft[®] A Masco Company NOVI, MICHIGAN</p>	DESCRIPTION		DRAWING NO.		
	1 1/2 OD X 1 1/2 FIP MARVEL CONNECTOR (SUBMITTAL)		TUA0132A		
	DRAWN	DATE:	MATERIAL	ITEM DESCRIPTION	
	KLIMKIE	07/11/2005		197CX	
CHK'D.	DATE:	VOLUME	ITEM ID		
Pernak	07/12/2005		197CX		
APP'D.	DATE:				
<p>ALL GDT PER ANSI STD Y14.5M CLASSIFICATION OF QUALITY LEVELS</p> <p>CLASS SYMBOL</p> <p>KPC (KEY PRODUCT CHARACTERISTICS) </p> <p>STPC (STANDARD PRODUCT CHARACTERISTICS) </p> <p>PRODUCT MARKINGS </p>		<p>NOTE: UNLESS OTHERWISE SPECIFIED</p> <p>TWO PLACE DECIMALS +/- .010</p> <p>THREE PLACE DECIMALS +/- .005</p> <p>ANGULARITY +/- 1°</p>	<p>UNITS</p> <p> INCH</p>	<p>SCALE: (UNLESS NOTED)</p> <p>FULL</p>	<p>REV.</p> <p>A</p>

This drawing and all data contained herein is the confidential and exclusive property of BrassCraft Manufacturing, and shall not be disclosed to others without the written consent of BrassCraft. This drawing must be returned to BrassCraft if requested.