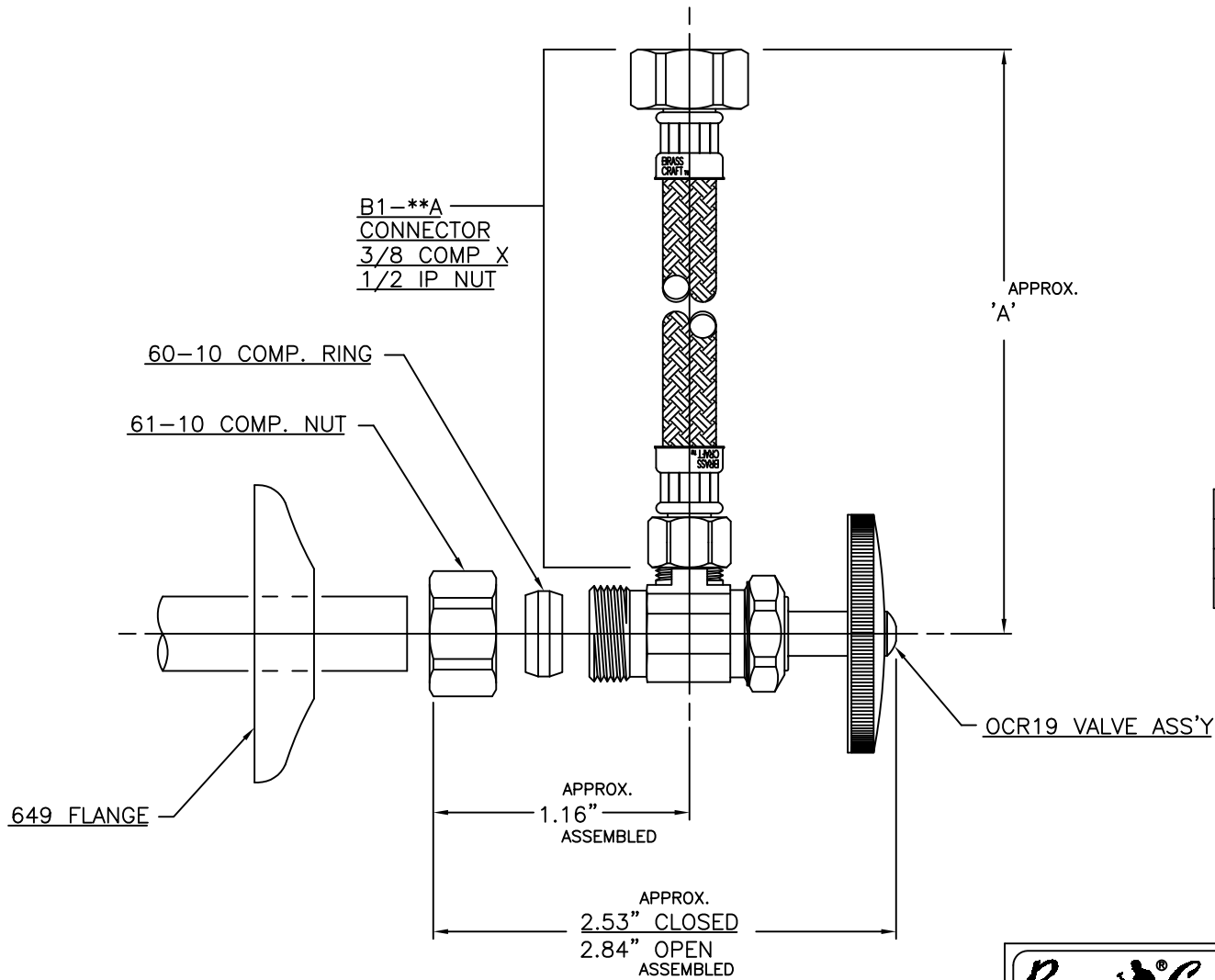


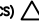



LET.	DATE	PER	BY	CHANGE
D	5/23/03	WFT	MJP	REVISED & UPDATED



ITEM I.D.	ITEM DESC.	DIM "A"
OCR19B12A C	OCR19B12A	12.50/13.50
OCR19B16A C	OCR19B16A	16.50/17.50
OCR19B20A C	OCR19B20A	20.50/21.50

 A Masco Company NOVI, MICHIGAN		DESCRIPTION		DRAWING NO.	
		1/2 NOM COMP X 3/8 OD COMP VALVE W/POLYMER FAUCET RISER (SUBMITTAL)		VPA0579D	
DRAWN DATE: PERNAK 11/19/2002		MATERIAL		ITEM DESCRIPTION	
CHK'D DATE: Klimkie 05/23/2003		VOLUME		OCR19B12A SEE CHART	
CLASS SYMBOL		APP'D. DATE:		ITEM ID	
KPC (KEY PRODUCT CHARACTERISTICS) 		NOTE: UNLESS OTHERWISE SPECIFIED		OCR19B12A C SEE CHART	
STPC (STANDARD PRODUCT CHARACTERISTICS) 		TWO PLACE DECIMALS +/- .010		SCALE: (UNLESS NOTED)	
PRODUCT MARKINGS 		THREE PLACE DECIMALS +/- .005		FULL	
		ANGULARITY +/- 1°		UNITS	
		SIZE		INCH	
				REV.	
				D	

This drawing and all data contained herein is the confidential and exclusive property of BrassCraft Manufacturing, and shall not be disclosed to others without the written consent of BrassCraft. This drawing must be returned to BrassCraft if requested.