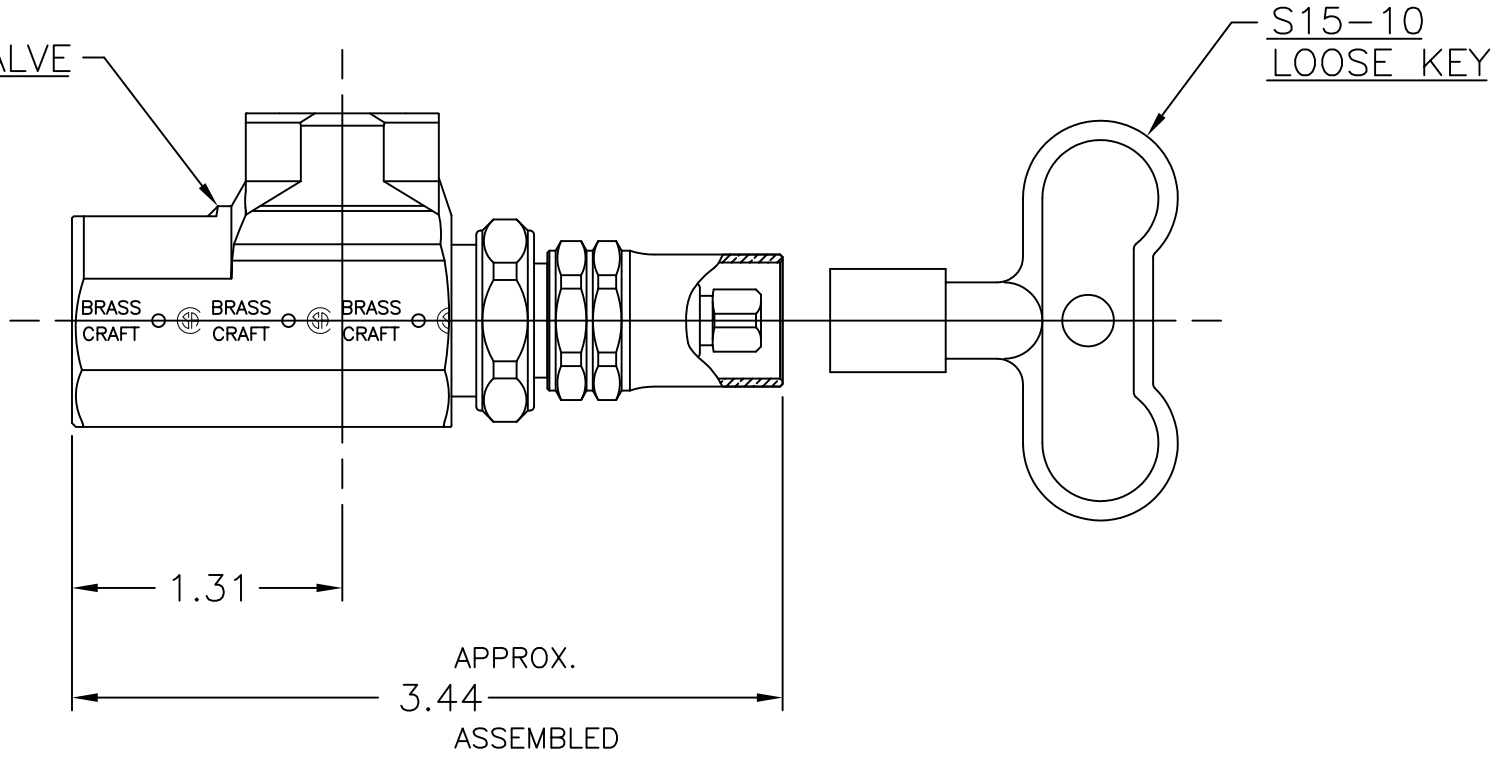


LET.	DATE	PER	BY	CHANGE
A	5/4/04	WFT	MJP	RELEASE

HSR87 VALVE
ASS'Y



NOVI, MICHIGAN	
ALL GDT PER ANSI STD Y14.5M CLASSIFICATION OF QUALITY LEVELS	
CLASS	SYMBOL
KPC (KEY PRODUCT CHARACTERISTICS)	◇
STPC (STANDARD PRODUCT CHARACTERISTICS)	△
PRODUCT MARKINGS	○

DESCRIPTION 1/2 FIP X 1/2 FIP HVY PTRN VALVE W/STUFFING BOX & LOOSE KEY (SUBMITTAL)		DRAWING NO. VPA0964A	
DRAWN PERNAK	DATE: 05/04/2004	MATERIAL	ITEM DESCRIPTION HSTR87
CHK'D. Klimkie	DATE: 05/04/2004	VOLUME	ITEM ID HSTR87 C
APP'D.	DATE:	NOTE: UNLESS OTHERWISE SPECIFIED TWO PLACE DECIMALS +/- .010 THREE PLACE DECIMALS +/- .005 ANGULARITY +/- 1°	SCALE: (UNLESS NOTED) FULL
		UNITS INCH	REV. A

This drawing and all data contained herein is the confidential and exclusive property of BrassCraft Manufacturing, and shall not be disclosed to others without the written consent of BrassCraft. This drawing must be returned to BrassCraft if requested.