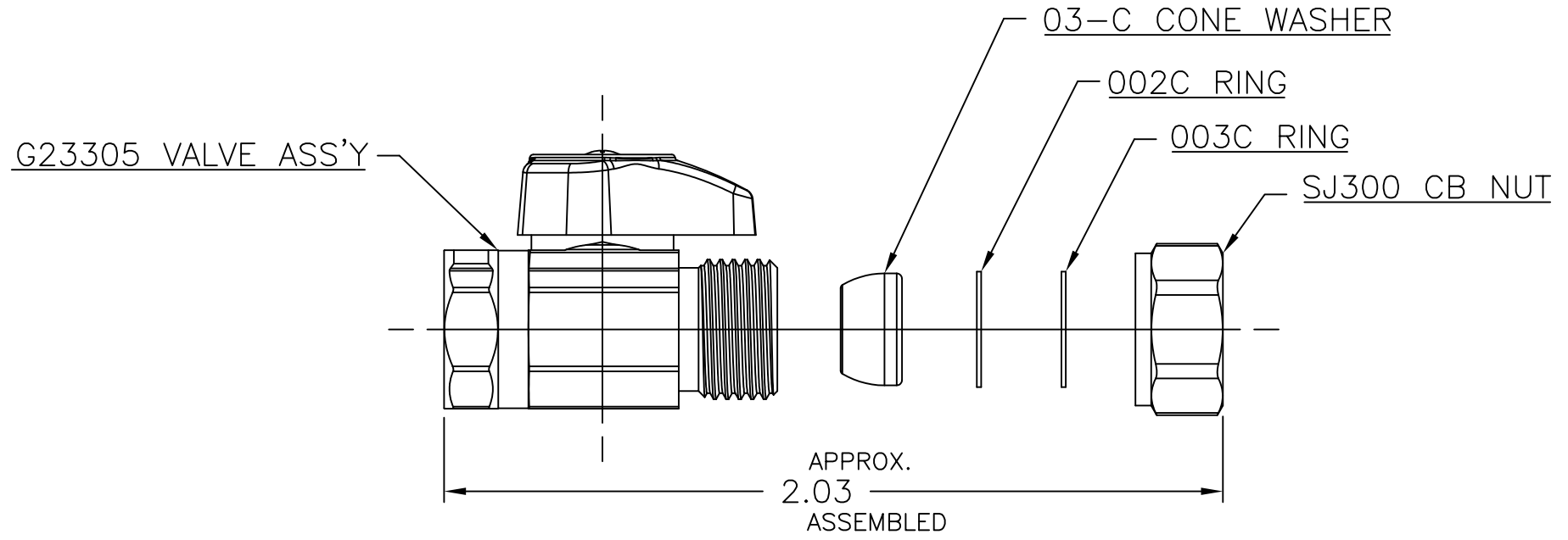
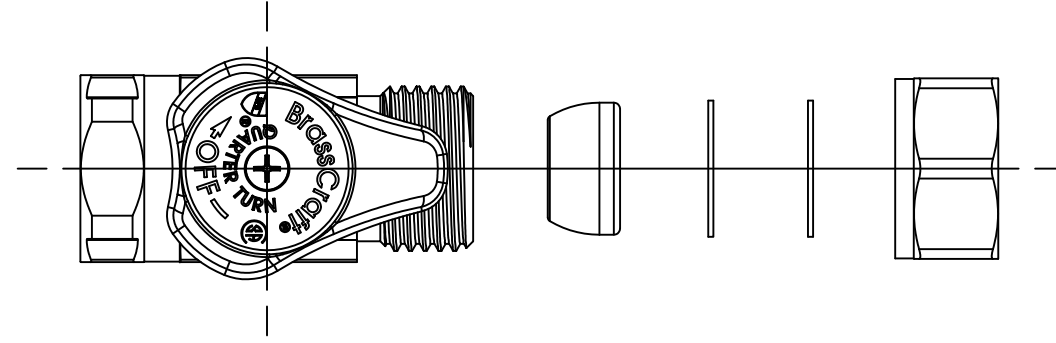


LET.	DATE	PER	BY	CHANGE
A	9/19/05	JPS	JPS	RELEASE



NOVI, MICHIGAN	
ALL GDT PER ANSI STD Y14.5M CLASSIFICATION OF QUALITY LEVELS	
CLASS	SYMBOL
KPC (KEY PRODUCT CHARACTERISTICS)	◇
STPC (STANDARD PRODUCT CHARACTERISTICS)	△
PRODUCT MARKINGS	○

DESCRIPTION 1/2 FIP X 1/2 & 7/16 RUBBER SLIP QUARTER TURN STRT STOP (SUBMITTAL)	
DRAWN SCHUTTE 09/19/2005	DATE: 09/19/2005
CHK'D. Pernak 09/21/2005	DATE: 09/21/2005
APP'D.	DATE:
NOTE: UNLESS OTHERWISE SPECIFIED TWO PLACE DECIMALS +/- .010 THREE PLACE DECIMALS +/- .005 ANGULARITY +/- 0° 30'	

DRAWING NO. VPA1035A	
ITEM DESCRIPTION G23305	
ITEM ID G23305 C	
UNITS INCH	SCALE: (UNLESS NOTED) FULL
REV. A	

This drawing and all data contained herein is the confidential and exclusive property of BrassCraft Manufacturing, and shall not be disclosed to others without the written consent of BrassCraft. This drawing must be returned to BrassCraft if requested.