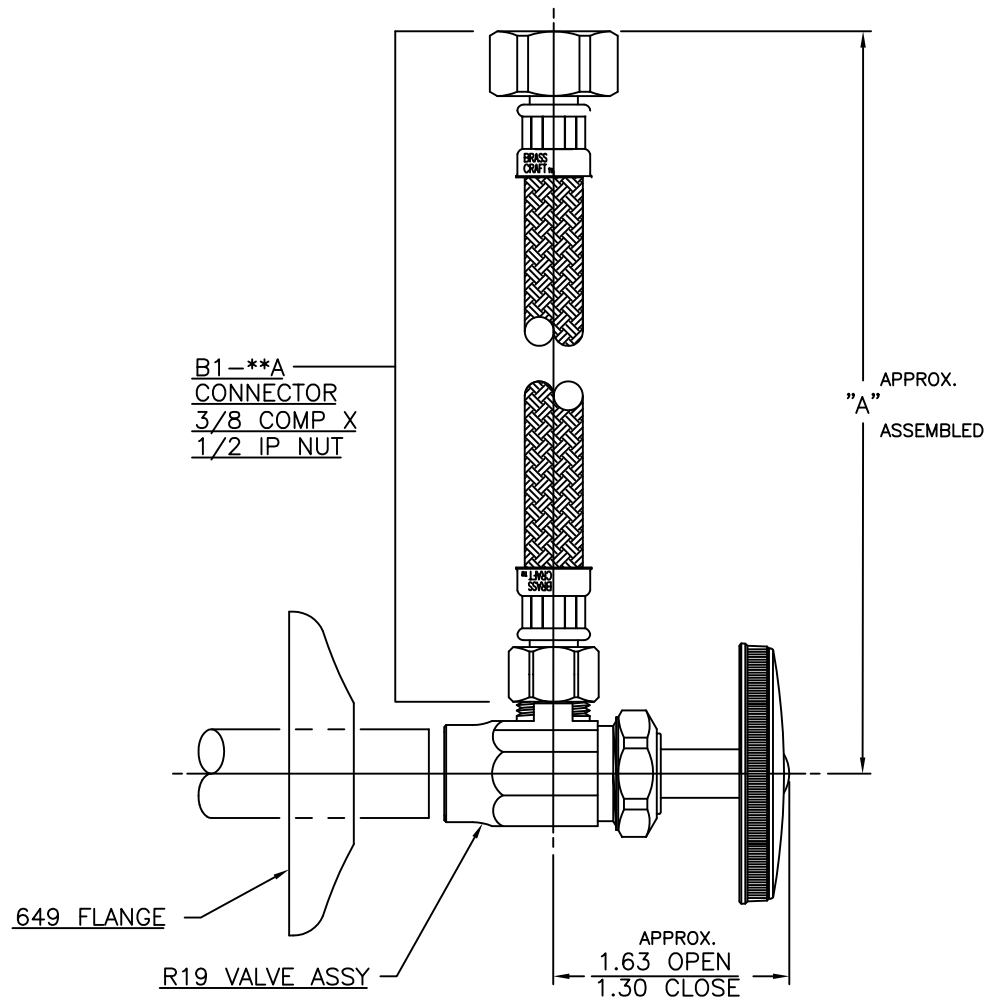


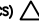



LET.	DATE	PER	BY	CHANGE
D	5/14/03	WFT	MJP	REVISED & UPDATED



ITEM I.D.	ITEM DESC.	DIMENSION "A"
R19B12A C	R19B12A	12.50/13.50
R19B20A C	R19B20A	20.50/21.50

 BrassCraft A Masco Company NOVI, MICHIGAN	DESCRIPTION 1/2 NOM SWT X 3/8 OD COMP VALVE W/FAUCET CONNECTOR (SUBMITTAL)		DRAWING NO. VPA0607D		
	DRAWN PERNAK	DATE: 12/26/2002	MATERIAL	ITEM DESCRIPTION R19B12A SEE CHART	
	CHK'D. Klimkie	DATE: 05/14/2003	VOLUME	ITEM ID R19B12A C SEE CHART	
	ALL GDT PER ANSI STD Y14.5M CLASSIFICATION OF QUALITY LEVELS		APP'D. DATE:	NOTE: UNLESS OTHERWISE SPECIFIED TWO PLACE DECIMALS +/- .010 THREE PLACE DECIMALS +/- .005 ANGULARITY +/- 1°	
CLASS SYMBOL KPC (KEY PRODUCT CHARACTERISTICS)  STPC (STANDARD PRODUCT CHARACTERISTICS)  PRODUCT MARKINGS 		UNITS INCH	SCALE: (UNLESS NOTED) FULL	REV. D	

This drawing and all data contained herein is the confidential and exclusive property of BrassCraft Manufacturing, and shall not be disclosed to others without the written consent of BrassCraft. This drawing must be returned to BrassCraft if requested.