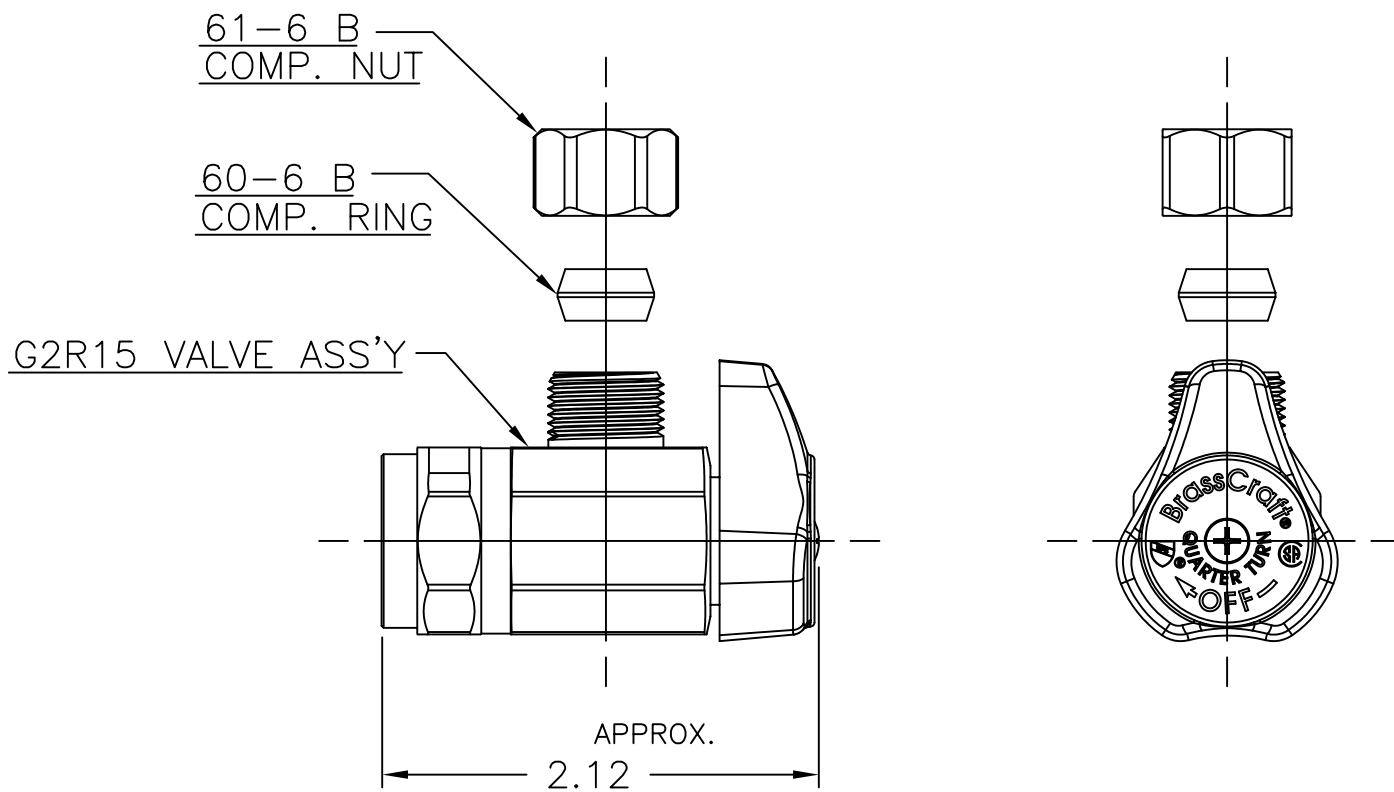


LET.	DATE	PER	BY	CHANGE
A	02/24/06	JPS	KAK	RELEASE



DESCRIPTION 3/8 FIP X 3/8 OD COMP QUARTER TURN ANGLE STOP (SUBMITTAL)		DRAWING NO. VPA1058A			
DRAWN KLIMKIE	DATE: 02/24/2006	MATERIAL	ITEM DESCRIPTION G2R15		
CHK'D. Pernak	DATE: 02/24/2006		VOLUME	ITEM ID G2R15 C	
APP'D.	DATE:	NOTE: UNLESS OTHERWISE SPECIFIED TWO PLACE DECIMALS +/- .010 THREE PLACE DECIMALS +/- .005 ANGULARITY +/- 1°		UNITS INCH	SCALE: (UNLESS NOTED) FULL

This drawing and all data contained herein is the confidential and exclusive property of BrassCraft Manufacturing, and shall not be disclosed to others without the written consent of BrassCraft. This drawing must be returned to BrassCraft if requested.

ALL GDT PER ANSI STD Y14.5M CLASSIFICATION OF QUALITY LEVELS	
CLASS	SYMBOL
KPC (KEY PRODUCT CHARACTERISTICS)	◇
STPC (STANDARD PRODUCT CHARACTERISTICS)	△
PRODUCT MARKINGS	○