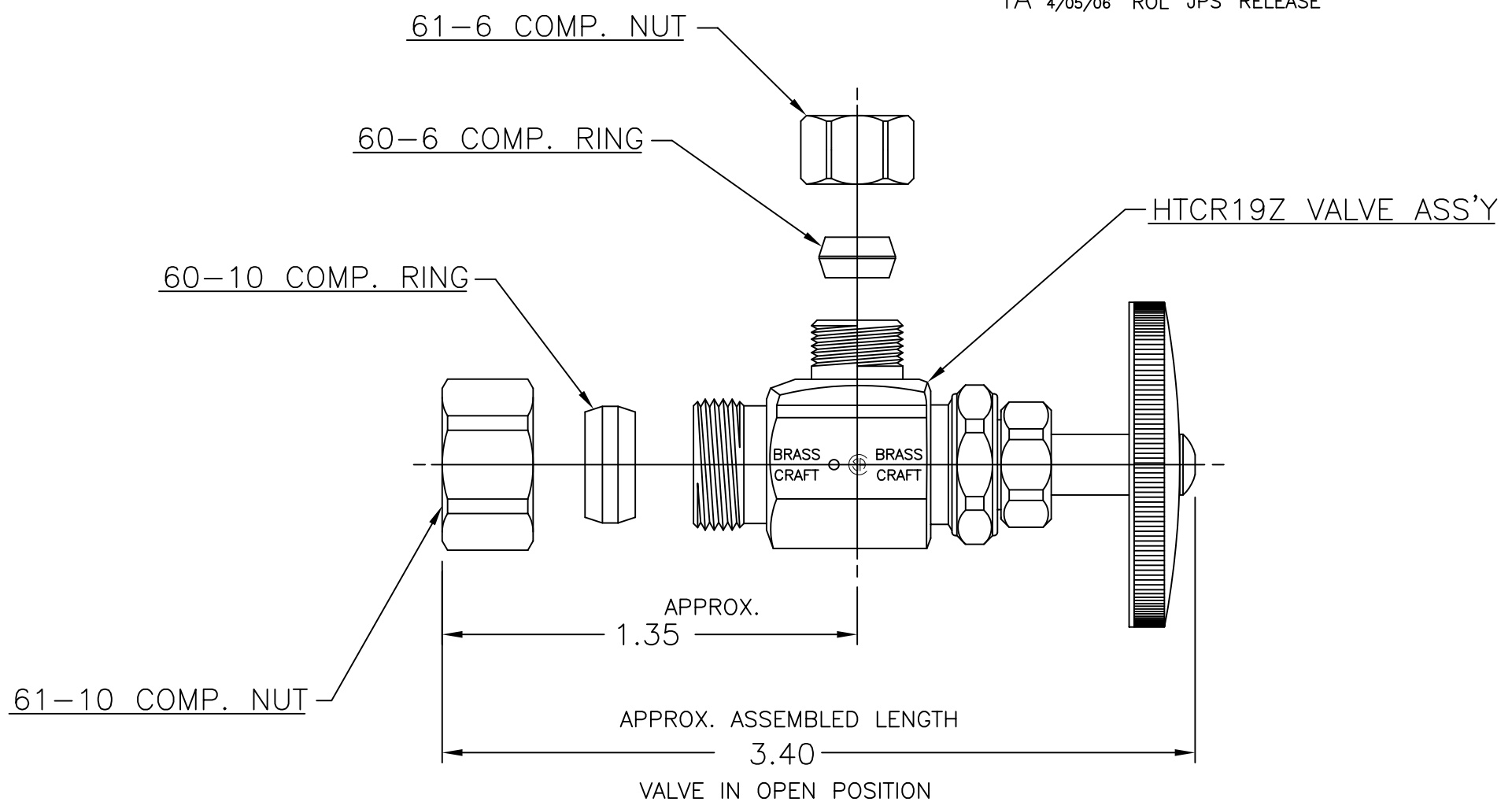


LET.	DATE	PER	BY	CHANGE
A	4/05/06	ROL	JPS	RELEASE



NOVI, MICHIGAN	
ALL GDT PER ANSI STD Y14.5M CLASSIFICATION OF QUALITY LEVELS	
CLASS	SYMBOL
KPC (KEY PRODUCT CHARACTERISTICS)	◇
STPC (STANDARD PRODUCT CHARACTERISTICS)	△
PRODUCT MARKINGS	○

DESCRIPTION 1/2 NOM COMP X 3/8 OD COMP HVY. PTRN. VALVE W/STUFFING BOX (SUBMITTAL)	
DRAWN SCHUTTE	DATE: 04/07/06
CHK'D. Klimkie	DATE: 04/10/2006
APP'D.	DATE:
NOTE: UNLESS OTHERWISE SPECIFIED TWO PLACE DECIMALS +/- .010 THREE PLACE DECIMALS +/- .005 ANGULARITY +/- 1°	

DRAWING NO. VPA1064A
ITEM DESCRIPTION HTCR19Z
ITEM ID HTCR19Z C
UNITS INCH
SCALE: (UNLESS NOTED) FULL
REV. A

This drawing and all data contained herein is the confidential and exclusive property of BrassCraft Manufacturing, and shall not be disclosed to others without the written consent of BrassCraft. This drawing must be returned to BrassCraft if requested.