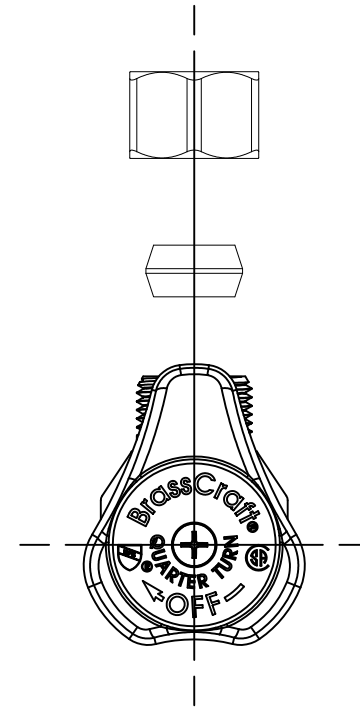
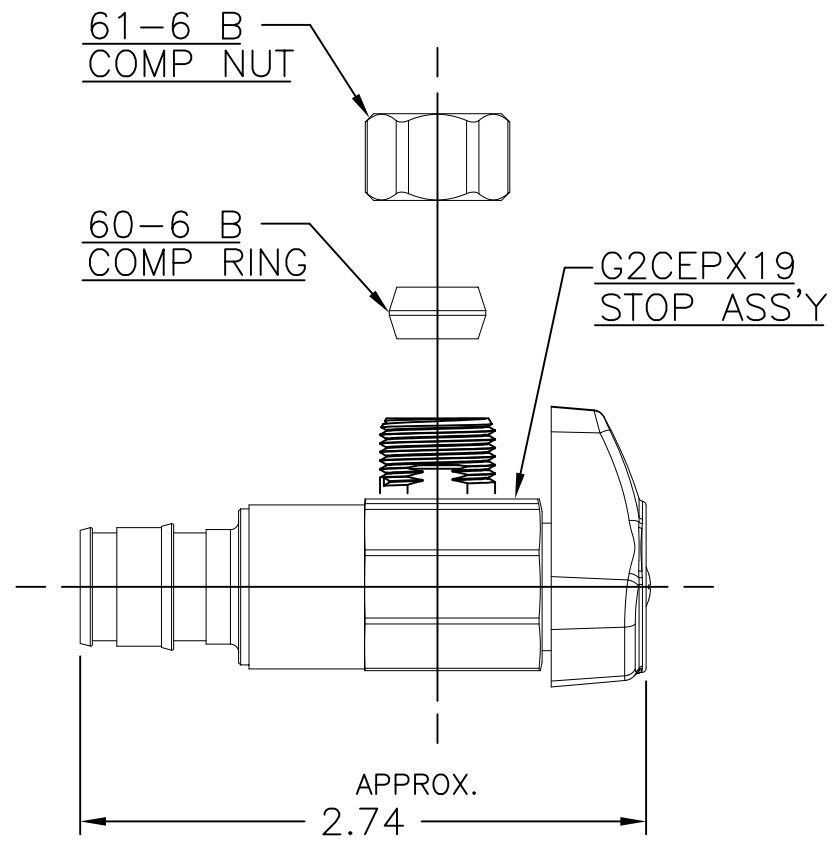


LET.	DATE	PER	BY	CHANGE
A	2/23/09	JPS	JPS	RELEASE



This drawing and all data contained herein is the confidential and exclusive property of BrassCraft Manufacturing, and shall not be disclosed to others without the written consent of BrassCraft. This drawing must be returned to BrassCraft if requested.



NOVI, MICHIGAN	
ALL GDT PER ANSI STD Y14.5M CLASSIFICATION OF QUALITY LEVELS	
CLASS	SYMBOL
KPC (KEY PRODUCT CHARACTERISTICS)	◇
STPC (STANDARD PRODUCT CHARACTERISTICS)	△
PRODUCT MARKINGS	○

DESCRIPTION 1/2 NOM COLD EXPANSION PEX X 3/8 OD COMP QUARTER TURN ANGLE STOP (SUBMITTAL)		DRAWING NO. VPA1148A	
DRAWN SCHUTTE	DATE: 07/23/09	MATERIAL	ITEM DESCRIPTION G2CEPX19
CHK'D. Sanzone	DATE: 07/23/2009		ITEM ID G2CEPX19 C
APP'D.	DATE:	VOLUME	
NOTE: UNLESS OTHERWISE SPECIFIED TWO PLACE DECIMALS THREE PLACE DECIMALS ANGULARITY		SIZE A	UNITS INCH
		SCALE: (UNLESS NOTED) FULL	REV. A