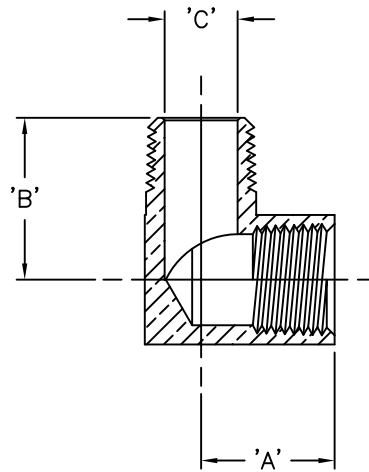
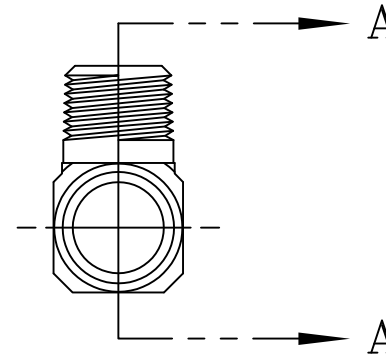


LET.	DATE	PER	BY	CHANGE
A	1/24/05	KAK	MJP	RELEASE





ITEM I.D. (BRASS)	PIPE THREAD	DIM 'A'	DIM 'B'	DIM 'C'
202-2 B	1/8	.48	.66	.219
202-4 B	1/4	.72	.91	.312
202-6 B	3/8	.78	.97	.438
202-8-6 B	1/2(F) X 3/8(M)	1.04	1.07	.438
202-8 B	1/2	1.03	1.25	.562
202-12 B	3/4	1.12	1.38	.750



SECTION A-A



This drawing and all data contained herein is the confidential and exclusive property of BrassCraft Manufacturing, and shall not be disclosed to others without the written consent of BrassCraft. This drawing must be returned to BrassCraft if requested.

 A Masco Company NOVI, MICHIGAN		DESCRIPTION 90 DEGREE STREET ELBOW (SUBMITTAL)		DRAWING NO. PFE0099A	
ALL GDT PER ANSI STD Y14.5M CLASSIFICATION OF QUALITY LEVELS		DRAWN DATE: PERNAK 01/24/2005		MATERIAL ITEM DESCRIPTION 202-2	
CLASS SYMBOL KPC (KEY PRODUCT CHARACTERISTICS) 		CHK'D. DATE: Klimkie 01/25/2005		VOLUME ITEM ID 202-2 B	
STPC (STANDARD PRODUCT CHARACTERISTICS) 		APP'D. DATE:		SEE CHART	
PRODUCT MARKINGS 		NOTE: UNLESS OTHERWISE SPECIFIED TWO PLACE DECIMALS +/- .010 THREE PLACE DECIMALS +/- .005 ANGULARITY +/- 1°		UNITS INCH	
		SCALE: (UNLESS NOTED) FULL		REV. A	