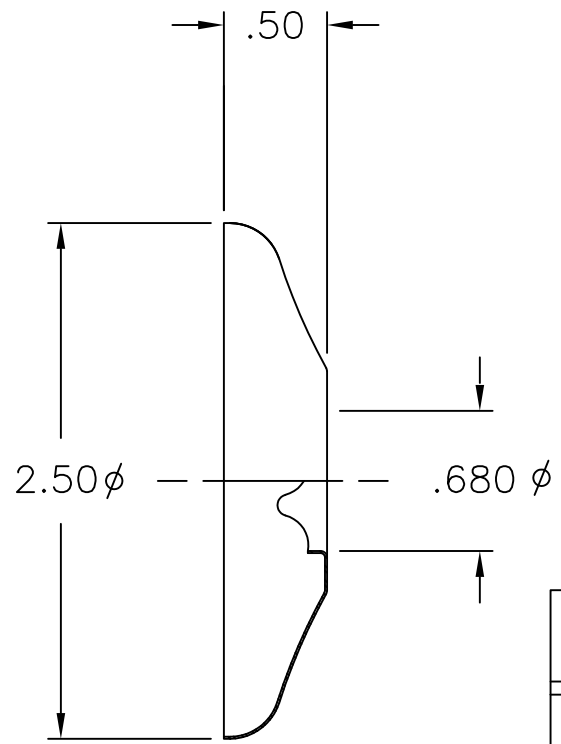
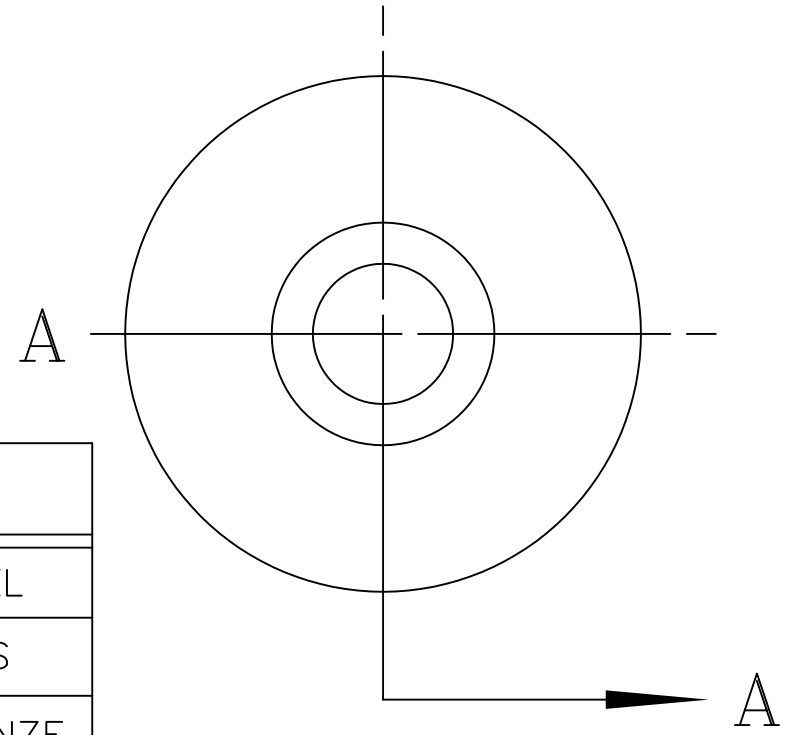





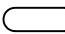
LET.	DATE	PER	BY	CHANGE
D	6/22/07	ROL	KAK	REVISED & UPDATED



SECTION A-A



ITEM ID	FINISH
646	STAINLESS STEEL
646 A	ANTIQUÉ BRASS
646 BZ	OIL RUBBED BRONZE
646 NS	SATIN NICKEL
646 P	POLISHED BRASS

 A Masco Company NOVI, MICHIGAN ALL GDT PER ANSI STD Y14.5M CLASSIFICATION OF QUALITY LEVELS	DESCRIPTION		DRAWING NO.		
	3/8 I.P. SHALLOW FLANGE (SUBMITTAL)		MPG0088D		
	DRAWN	DATE:	MATERIAL	ITEM DESCRIPTION	
	THOMAS	9/14/98		646	
CHK'D.	DATE:	VOLUME	ITEM ID		
Learmont	06/22/2007		646		
APP'D.	DATE:		SEE CHART		
CLASS SYMBOL KPC (KEY PRODUCT CHARACTERISTICS)  STPC (STANDARD PRODUCT CHARACTERISTICS)  PRODUCT MARKINGS 		NOTE: UNLESS OTHERWISE SPECIFIED TWO PLACE DECIMALS +/- .010 THREE PLACE DECIMALS +/- .005 ANGULARITY +/- 1°	UNITS INCH	SCALE: (UNLESS NOTED) FULL	REV. D

This drawing and all data contained herein is the confidential and exclusive property of BrassCraft Manufacturing, and shall not be disclosed to others without the written consent of BrassCraft. This drawing must be returned to BrassCraft if requested.