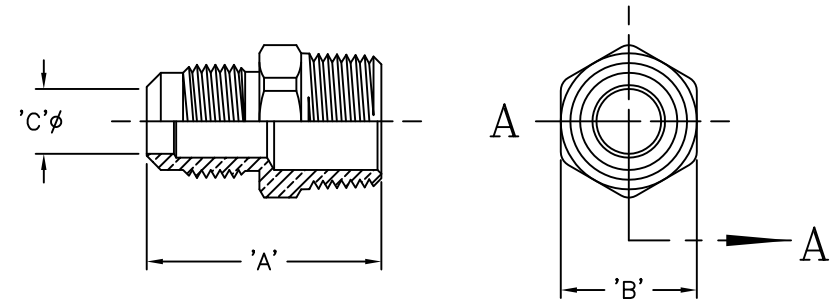


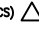



LET.	DATE	PER	BY	CHANGE
B	3/30/05	KAK	MJP	REVISED & UPDATED

ITEM I.D. (BRASS)	ITEM I.D. (CHROME)	TUBE SIZE	PIPE THREAD	STRAIGHT THREAD	DIM 'A'	DIM 'B'	DIM 'C'
48-2-2 B	-	1/8	1/8	5/16-24	.92	7/16	.078
48-3-2 B	-	3/16	1/8	3/8-24	1.00	7/16	.125
48-3-4 B	-	3/16	1/4	3/8-24	1.11	9/16	.124
48-4-2 B	-	1/4	1/8	7/16-20	1.03	7/16	.188
48-4-4 B	-	1/4	1/4	7/16-20	1.22	9/16	.188
48-4-6 B	-	1/4	3/8	7/16-20	1.22	11/16	.188
48-4-8 B	-	1/4	1/2	7/16-20	1.38	7/8	.188
48-5-2 B	-	5/16	1/8	1/2-20	1.13	1/2	.218
48-5-4 B	-	5/16	1/4	1/2-20	1.27	9/16	.312
48-5-6 B	-	5/16	3/8	1/2-20	1.13	3/4	.218
48-5-8 B	-	5/16	1/2	1/2-20	1.60	7/8	.218
48-6-2 B	-	3/8	1/8	5/8-18	1.25	5/8	.281
48-6-4 B	-	3/8	1/4	5/8-18	1.31	5/8	.281
48-6-6 B	48-6-6 C	3/8	3/8	5/8-18	1.41	11/16	.281
48-6-8 B	48-6-8 C	3/8	1/2	5/8-18	1.49	27/32	.281
48-6-12 B	-	3/8	3/4	5/8-18	1.62	1-1/16	.281
48-8-4 B	-	1/2	1/4	3/4-16	1.62	3/4	.281
48-8-6 B	-	1/2	3/8	3/4-16	1.53	3/4	.406
48-8-8 B	-	1/2	1/2	3/4-16	1.62	27/32	.406
48-8-12 B	-	1/2	3/4	3/4-16	1.50	1-1/16	.406
48-10-4 B	-	5/8	1/4	7/8-14	1.79	7/8	.313
48-10-6 B	-	5/8	3/8	7/8-14	1.69	7/8	.469
48-10-8 B	-	5/8	1/2	7/8-14	1.75	7/8	.500
48-10-12 B	-	5/8	3/4	7/8-14	1.81	1-1/16	.500
48-12-8 B	-	3/4	1/2	1-1/16-14	1.75	1-1/8	.406
48-12-12 B	-	3/4	3/4	1-1/16-14	2.08	1-1/16	.625
48-14-12 B	-	7/8	3/4	1-1/4-12	2.35	1-1/4	.752



This drawing and all data contained herein is the confidential and exclusive property of BrassCraft Manufacturing, and shall not be disclosed to others without the written consent of BrassCraft. This drawing must be returned to BrassCraft if requested.

 A Masco Company NOVI, MICHIGAN ALL GDT PER ANSI STD Y14.5M CLASSIFICATION OF QUALITY LEVELS	DESCRIPTION FLARE X MIP UNION (SUBMITTAL)		DRAWING NO. FFU0178B	
	DRAWN PERNAK 03/28/2005	DATE: 03/28/2005	MATERIAL	ITEM DESCRIPTION 48-2-2
CHK'D. Klimkie 03/30/2005	DATE: 03/30/2005	VOLUME	ITEM ID 48-2-2 B	
CLASS KPC (KEY PRODUCT CHARACTERISTICS) 	SYMBOL STPC (STANDARD PRODUCT CHARACTERISTICS) 	APP'D. DATE:	NOTE: UNLESS OTHERWISE SPECIFIED TWO PLACE DECIMALS +/- .010 THREE PLACE DECIMALS +/- .005 ANGULARITY +/- 1°	
PRODUCT MARKINGS 	UNITS INCH	SCALE: (UNLESS NOTED) FULL	REV. B	